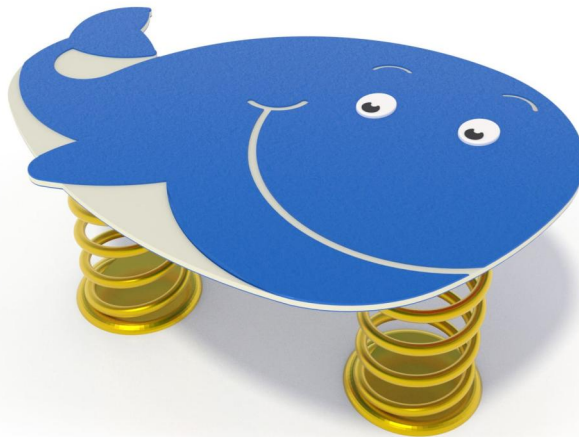


+F0100.J02003

WHALE SPRING ROCKER



Dimensions	Safety area	Impact area	Falling height HIC	Physical footprint	Number of users
4 x 3,7 m	0 mq	90 cm	1 x 0,7 x 0,8 m	3	

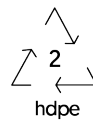
Characteristics



Age range

From 3 to 12 years

Materials



Made of high density polyethylene.

Manufacturer

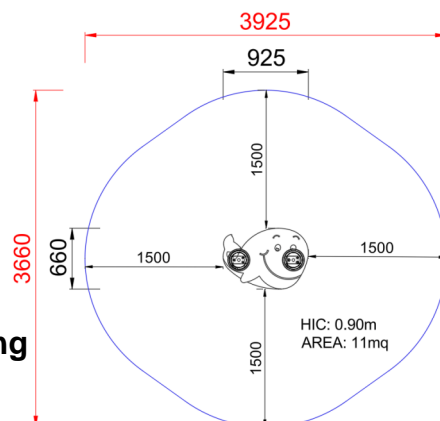
Pozza 1865 S.R.L.

Country of manufacturing

ITALY



Plan



Area di sicurezza totale / Total safety area: 11mq
Altezza Max di Caduta / Max falling height: 0.90m

Picture

