

+U0300
TUNNEL WOOD



Dimensions	Safety area	Impact area	Falling height HIC	Physical footprint	Number of users
	4,5 x 3,8 m	0 mq	60 cm	1,5 x 0,8 x 0,1 m	5

Characteristics



Age range

Da 2 a 12 anni

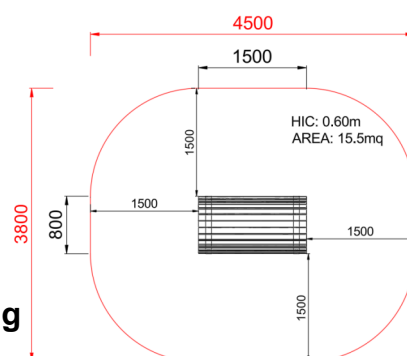
Materials



legno di pino

Made of CAM compliant wood.

Plan



Picture



Manufacturer

Pozza 1865 S.R.L.

Country of manufacturing

ITALY



Area di sicurezza totale / Total safety area: 15.5mq
Altezza Max di Caduta / Max falling height: 0.60m