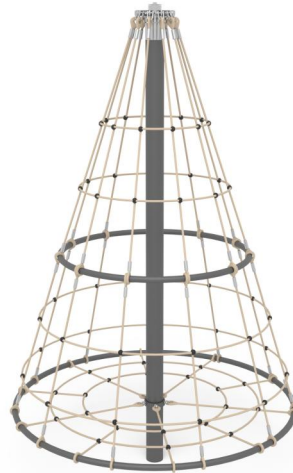
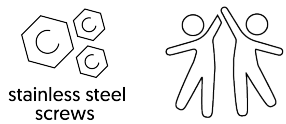


+C8000
TORRE PIRAMIDALE GIREVOLE



Dimensions	Safety area	Impact area	Falling height HIC	Physical footprint	Number of users
6,4 x 6,4 m	36.5 mq	200 cm	2,4 x 2,4 x 0 m	10	

Characteristics



Age range

Da 3 a 12 anni

Materials



Hot-dip galvanized and powder coated or powder galvanized and powder coated steel construction of 90 x 90 mm or 120 diameter profile

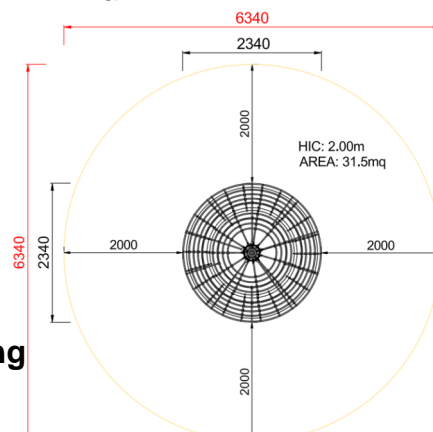
Manufacturer

Pozza 1865 S.R.L.

Country of manufacturing



Plan



Picture



Area di sicurezza totale / Total safety area: 31.5mq
Altezza Max di Caduta / Max falling height: 2.00m