

+ES1100.U0600.2\_ALU

## TAVOLO MANIPOLAZIONE CUCINA



### Dimensions



Safety area

4,1 x 4 m



Impact area

0 mq



Falling height HIC

60 cm



Physical footprint

1,2 x 1 x 0,7 m



Number of users

2

### Characteristics



stainless steel screws

### Age range

Da 2 a 12 anni

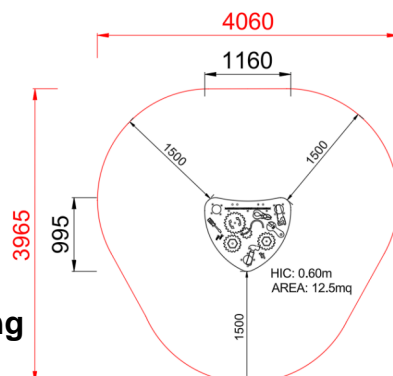
### Materials



anodised aluminium

Made of EN EV6060 anodized aluminium 9x9cm custom mold with rounded edges, minimum thickness 2,7mm

### Plan



### Picture



### Manufacturer

Pozza 1865 S.R.L.

### Country of manufacturing

ITALY



Area di sicurezza totale / Total safety area: 12.5mq  
Altezza Max di Caduta / Max falling height: 0.60m