

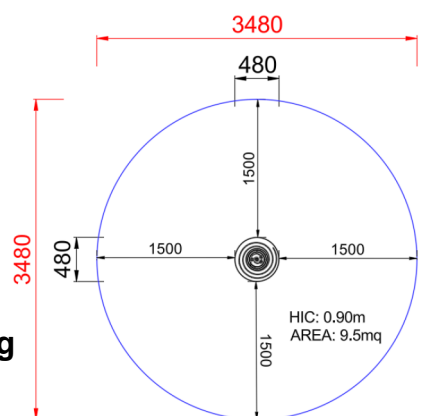

+J01001.GT-06
STEP SPRING RIDER



Dimensions	Safety area	Impact area	Falling height HIC	Physical footprint	Number of users
	3,3 x 2,3 m	0 mq	90 cm	1,3 x 0,3 x 0,8 m	2

Characteristics	Materials
 stainless steel screws  use under surveillance	 Made of high density polyethylene.

Age range	Materials
From 3 to 12 years	Made of high density polyethylene.

Manufacturer	Plan	Picture
Pozza 1865 S.R.L.	 <p>Area di sicurezza totale / Total safety area: 9.5mq Altezza Max di Caduta / Max falling height: 0.90m</p>	
Country of manufacturing ITALY 