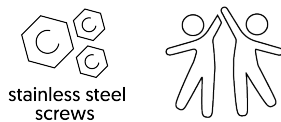


+G0300.GT-06B
SPINNER TULIPANO



Dimensions	Safety area	Impact area	Falling height HIC	Physical footprint	Number of users
4,6 x 4,6 m	0 mq	90 cm	0,6 x 0,6 x 0 m	1	

Characteristics



stainless steel screws

Age range

From 3 to 12 years

Materials



GALVANIZED AND PAINTED STEEL

Hot-dip galvanized and powder coated or powder galvanized and powder coated steel construction of 90 x 90 mm or 120 diameter profile

Manufacturer

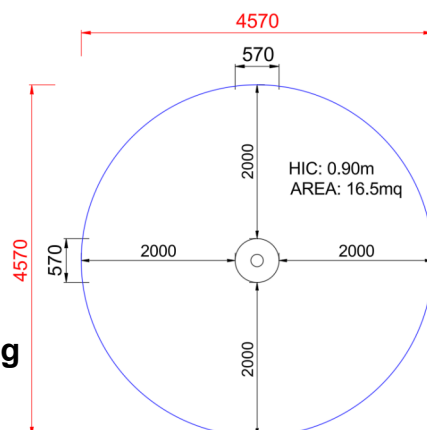
Pozza 1865 S.R.L.

Country of manufacturing

ITALY



Plan



Picture



Area di sicurezza totale / Total safety area: 16.5mq
Altezza Max di Caduta / Max falling height: 0.90m