

+J02002.1

SPEEDY RACE CAR RIDER



Dimensions	Safety area	Impact area	Falling height HIC	Physical footprint	Number of users
	3,1 x 2,5 m	0 mq	90 cm	1,1 x 0,5 x 0,8 m	2

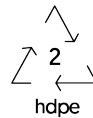
Characteristics



Age range

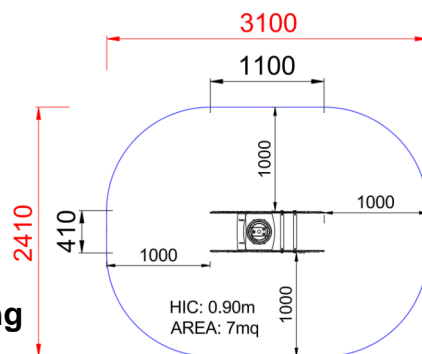
From 2 to 12 years

Materials



Made of high density polyethylene.

Plan



Picture



Manufacturer

Pozza 1865 S.R.L.

Country of manufacturing

ITALY



Area di sicurezza totale / Total safety area: 7mq
Altezza Max di Caduta / Max falling height: 0.90m