

**+C0500.PAL-06.SW-14**  
**SMALL GYM TOWER**



Dimensions	Safety area	Impact area	Falling height HIC	Physical footprint	Number of users
	11,8 x 7,5 m	52.5 mq	290 cm	7,3 x 2,5 x 2,8 m	15

**Characteristics**



**Age range**

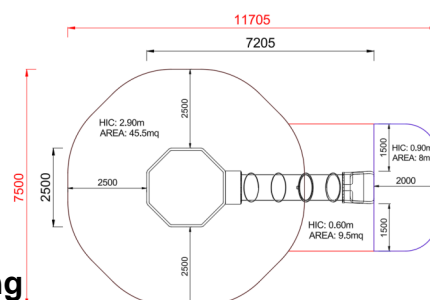
From 3 to 12 years

**Materials**



Hot-dip galvanized and powder coated or powder galvanized and powder coated steel construction of 90 x 90 mm or 120 diameter profile

**Plan**



**Picture**



**Manufacturer**

Pozza 1865 S.R.L.

**Country of manufacturing**

ITALY



Area di sicurezza totale / Total safety area: 63mq  
Altezza Max di Caduta / Max falling height: 2.90m