

# +AF301H19\_ALU SATURNO CON SCIVOLI - FANTASY



Dimensions	Safety area	Impact area	Falling height HIC	Physical footprint	Number of users
11 x 15,1 cm	0 mq	190 cm	7,9 x 11,2 x 4,3 cm	40	

## Characteristics

### Age range

3-12

### Materials



### Plan

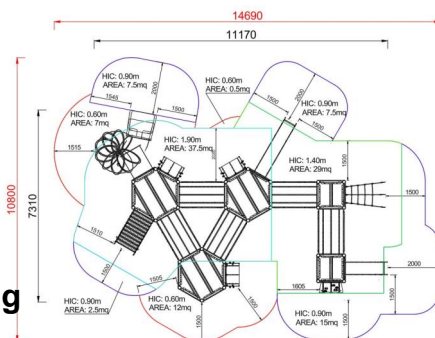
### Picture

### Manufacturer

Pozza 1865 S.R.L.

### Country of manufacturing

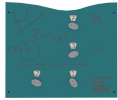
ITALY



Area di sicurezza totale / Total safety area: 116.5mq  
Altezza Max di Caduta / Max falling height: 1.90m



## Components list



**xABACOGT-02\_ALU - NG  
Multiplication Panel**  
NR 1 .



**xABACOGT-03\_ALU - NG Calculator  
Panel**  
NR 1 .



**xBV-10\_ALU - NG Braille Panel**  
NR 1 .



**xBV-11\_ALU - NG Activity geometry  
game**  
NR 1 Activity geometry game made of coated steel rope and fixed to the load-bearing structure by passing through concealed bolts, two-color HDPE polyethylene engraved with activity path and figures. All hardware and fasteners in stainless steel



**xBV-2\_ALU - NG Gear panel**  
NR 1 Vertical panel made of polyethylene and wood shelf.



**xBV-3.1\_ALU - NG Globe Panel**  
NR 1 .



**xBV-4\_ALU - NG Activity panel**  
NR 1 Made of colored polyethylene, sandwich type, with flow lanes, rotating disk and central knob



**xBV-7.1\_ALU - NG Musical Panel**  
NR 1 Polyethylene music panel with Steel tubes and a rubber hammer to play music on



**xC24\_ALU - NG Balcony**  
NR 1 Made of painted steel, provided with stainless steel brackets for fixing them to the tower.



**xC3\_ALU - NG Esagonal platform**  
NR 2 Made of non-slip material



**xGT-02\_ALU - NG Flexible seat**  
NR 1 Flexible seat made of rubber with stainless steel supports



**xHT5-14\_ALU - NG Esagonal tower h  
140 cm with roof**  
NR 1 Composed of 6 posts having a 9 x 9 cm section by lamellar wood, 1 esagonal platform placed at a height of 140 cm. Coloured gable roof



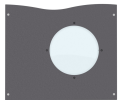
**xHT5-19\_ALU - NG Esagonal tower h  
190 cm with roof**  
NR 1 Composed of 6 posts having a 9 x 9 cm section by lamellar wood, 1 esagonal platform placed at a height of 190 cm. Coloured gable roof



**xHT6-0\_ALU - NG Hexagonal tower  
less roof-1**  
NR 1 made of 6 aluminum beams, 1 hexagonal platform and mounted at 00 cm height



**xP-2.1 \_ALU - NG Porthole Themed Panel**  
NR 2 .



**xP-2 \_ALU - NG Protection lateral panels with polycarbonate portholes**  
NR 1 Made of polyethylene, with polycarbonate portholes, provided with stainless steel brackets for fixing them to the tower.



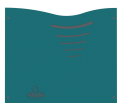
**xP-3C \_ALU - NG Panels inside-out**  
NR 1 Made of polyethylene shaped with a central geometric hole, provided with stainless steel brackets for fixing them to the tower



**xP-3Q \_ALU - NG Panels inside-out-1**  
NR 1 Made of polyethylene shaped with a central geometric hole, provided with stainless steel brackets for fixing them to the tower



**xP-3T \_ALU - NG Panels inside-out-2**  
NR 1 Made of polyethylene shaped with a central geometric hole, provided with stainless steel brackets for fixing them to the tower



**xP-7.1 \_ALU - NG Simple Turquoise Panel**  
NR 2 .



**xP-7 \_ALU - NG Simple Lime Panel**  
NR 1 Panel made of HDPE polyethylene, bi-color 86cm in width with drawing on the outer layer. all the fixing elements in Stainless steel



**xPD-10 \_ALU - NG Fixed right bridge**  
NR 4 Walkway made of impregnated wood, with polyethylene parapets



**xPI-12 \_ALU - NG CLOSED TIBETAN INCLINED TUNNEL**  
NR 1 TIBETAN TUNNEL MADE OF STEEL CORD COVERED BY NYLON



**xPI-5 \_ALU - NG Inclined mobile bridge**  
NR 1 Made of impregnated wood, with laminated wood beams oscillating hanging on to the handrail with steel ropes coated



**xQT4-14 \_ALU - NG Square tower h140 cm Fantasy**  
NR 1 Composed of 4 posts having a 9 x 9 mm section by aluminium, 1 square platform placed at a height of 140 cm. Coloured polyethylene gable roof



**xQT4-9 \_ALU - NG Square tower h 90cm style Fantasy**  
NR 1 Composed by 4 posts having a 10 cm diameter by anodized steel, 1 square platform placed at a height of 90 cm. Coloured polyethylene gable roof



**xRH-1 \_ALU - NG Access ramp suitable for disabled people**  
NR 3 Made of impregnated lamellar wood.



**xS-19 \_ALU - NG Climbing ladder h190 cm**  
NR 1 made of impregnated wood, complete with handrails and protective panels made of polyethylene



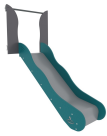
**xS6-14\_ALU - NG Shroud lift h140 cm**  
NR 1 Composed by climbing net in steel rope. Included by thrust bar



**xSCL1-9\_ALU - NG Free-climbing inclined ramp h 90 cm**  
NR 1 H90 Climbing platform - Made of an HDPE panels with anti slip coating, resin climbing holds on top. Support structure made of painted and galvanized steel. All fixing elements made of stainless steel



**xSVPX-14\_ALU - NG Straight slide h140 cm Fantasy**  
NR 1 slide with lateral sides made of polyethylene and stainless steel slide certified according to the existing rules; starting platform height 140 cm; provided with a transversal bar.



**xSVPX-9\_ALU - NG Straight slide h90 cm Fantasy**  
NR 1 slide with lateral sides made of polyethylene and stainless steel slide certified according to the existing rules; starting platform height 90 cm; provided with a transversal bar.



**xSW-E-19\_ALU - NG Tube Slide h190 (spiral)**  
NR 1 .