

**+AF300H.PI-11\_ALU**  
**SATURNO CON PONTE FISSO - FANTASY**



Dimensions	Safety area	Impact area	Falling height HIC	Physical footprint	Number of users
9,5 x 10,9 m	22.5 mq	140 cm	6 x 7,3 x 3,5 m	22	

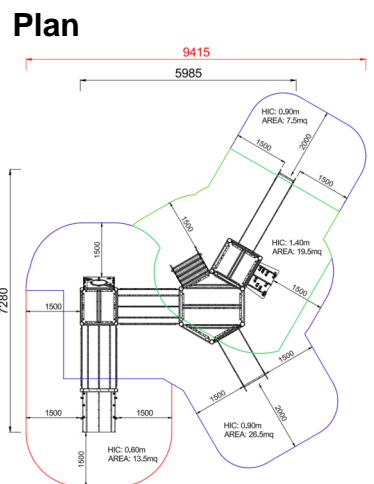
Characteristics	hdpe	stainless steel screws	use under surveillance

Age range	Materials	Made of EN EV6060 anodized aluminium 9x9cm custom mold with rounded edges, minimum thickness 2,7mm
Da 3 a 12 anni	anodised aluminium	



**Manufacturer**  
 Pozza 1865 S.R.L.

**Country of manufacturing**  
 ITALY



Area di sicurezza totale / Total safety area: 67mq  
 Altezza Max di Caduta / Max falling height: 1.40m

## Components list



**xABACOU0600-S\_ALU - NG Mirror  
MAGIC Panel**  
NR 1 Made of polyethylene, with mirror  
made polished stainless steel.



**xBV-10\_ALU - NG Braille Panel**  
N. 1 .



**xBV-3\_ALU - NG Galaxy panel**  
NR 1 Vertical panel made of polyethylene



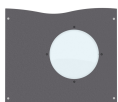
**xC24\_ALU - NG Balcony**  
NR 1 Made of painted steel, provided  
with stainless steel brackets for fixing  
them to the tower.



**xGT-08\_ALU - NG Climbing h50 cm**  
NR 1 Climbing between towers made of  
recycled material with resin climbing  
rocks



**xHT5-9\_ALU - NG Esagonal tower h  
140 cm with roof-1**  
NR 1 Composed of 6 posts having a 9 x  
9 cm section by lamellar wood, 1  
esagonal platform placed at a height of  
140 cm. Coloured gable roof



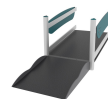
**xP-2\_ALU - NG Protection lateral  
panels with polycarbonate portholes**  
NR 1 Made of polyethylene, with  
polycarbonate portholes, provided with  
stainless steel brackets for fixing them to  
the tower.



**xQ-4\_ALU - NG Square tower h 40 cm  
(without roof)**  
NR 1 Composed of 4 posts having a 9 x  
9 cm section by aluminium, 1 square  
platform placed at a height of 40 cm



**xQT4-14\_ALU - NG Square tower h140  
cm Fantasy**  
N. 1 Composed of 4 posts having a 9 x 9  
mm section by aluminium, 1 square  
platform placed at a height of 140 cm.  
Coloured polyethylene gable roof



**xS2-4\_ALU - NG Accessible Climbing  
Platform h40 cm**  
NR 1 .



**xS-9\_ALU - NG Climbing ladder h90  
cm Fantasy**  
NR 1 made of aluminium, complete with  
handrails and protective panels made of  
polyethylene



**xSCL1-14\_ALU - NG Free-climbing  
inclined ramp h. 140**  
NR 1 H140 Climbing platform - Made of  
an HDPE panels with anti slip coating,  
resin climbing holds on top. Support  
structure made of painted and galvanized  
steel. All fixing elements made of  
stainelss steel



**xSVPX-14\_ALU - NG Straight slide  
h140 cm Fantasy**  
NR 1 slide with lateral sides made of  
polyethylene and stainless steel slide  
certified according to the existing rules;  
starting platform height 140 cm; provided  
with a transversal bar.



**xSVPXH-9\_ALU - NG Poly-Inox Slide**  
**h90 (inclusive)**  
NR 1 .

METODO DI FISSAGGIO A TERRA DEI MONTANTI DEL GIOCO: Attrezzatura predisposta per fissaggio a terra mediante l'utilizzo di appositi telai metallici.

INFORMAZIONI RELATIVE ALL'ISPEZIONE: Ispezione visiva periodica - Controllo della pulizia dell'attrezzatura - Controllo degli interspazi tra terreno ed attrezzatura - Controllo della consistenza del terreno - Controllo delle fondamenta - Controllo degli spigoli - Controllo dell'eventuale mancanza di parti - Controllo dell'usura eccessiva delle parti mobili (snodi e boccole) - Controllo dell'integrità dell'intera attrezzatura. Per le aree gioco soggette ad uso intensivo o vandalismo può essere necessaria un'ispezione giornaliera. Ispezione annuale periodica: Potrebbe rendersi necessario lo smontaggio di alcune parti per la verifica