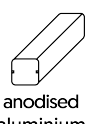


**+AF300H.S2-6\_ALU**  
**SATURNO CON PEDANA - FANTASY**

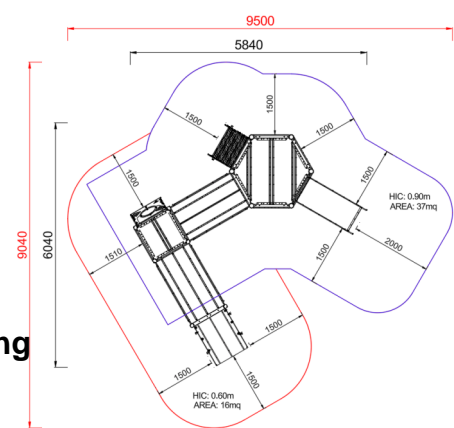


Dimensions	Safety area	Impact area	Falling height HIC	Physical footprint	Number of users
9,5 x 9,1 m	0 mq	90 cm	5,9 x 6,1 x 3,4 m	22	

Characteristics	hdpe	stainless steel screws	use under surveillance
			

Age range	Materials	Made of EN EV6060 anodized aluminium 9x9cm custom mold with rounded edges, minimum thickness 2,7mm
Da 3 a 12 anni	 anodised aluminium	

**Plan**



**Picture**



**Manufacturer**  
Pozza 1865 S.R.L.

**Country of manufacturing**  
ITALY 

Area di sicurezza totale / Total safety area: 53mq  
 Altezza Max di Caduta / Max falling height: 0.90m

## Components list



**xABACOU0600.O\_ALU - NG OPTICAL PANEL**

NR 1 OPTICAL EASY PANEL MADE OF POLYTHILENE



**xBV-2\_ALU - NG Gear panel**

NR 1 Vertical panel made of polyethylene and wood shelf.



**xBV-3.1\_ALU - NG Globe Panel**

NR 1 .



**xBV-4\_ALU - NG Activity panel**

NR 1 Made of colored polyethylene, sandwich type, with flow lanes, rotating disk and central knob



**xC24\_ALU - NG Balcony**

NR 1 Made of painted steel, provided with stainless steel brackets for fixing them to the tower.



**xHT5-9\_ALU - NG Esagonal tower h 140 cm with roof-1**

NR 1 Composed of 6 posts having a 9 x 9 cm section by lamellar wood, 1 esagonal platform placed at a height of 140 cm. Coloured gable roof



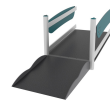
**xPI-5\_ALU - NG Inclined mobile bridge**

NR 1 Made of impregnated wood, with laminated wood beams oscillating hanging on to the handrail with steel ropes coated



**xQ-4\_ALU - NG Square tower h 40 cm (without roof)**

NR 1 Composed of 4 posts having a 9 x 9 cm section by aluminium, 1 square platform placed at a height of 40 cm



**xS2-4\_ALU - NG Accessible Climbing Platform h40 cm**

NR 1 .



**xS-9\_ALU - NG Climbing ladder h90 cm Fantasy**

NR 1 made of aluminium, complete with handrails and protective panels made of polyethylene