

+C0600_ALU
SARTIA 01



Dimensions	Safety area	Impact area	Falling height HIC	Physical footprint	Number of users
4,6 x 4,9 m	22.5 mq	200 cm	1,6 x 1,1 x 2,1 m	5	

Characteristics



Age range

Da 3 a 12 anni

Materials



Made of EN EV6060 anodized aluminium 9x9cm custom mold with rounded edges, minimum thickness 2,7mm

Manufacturer

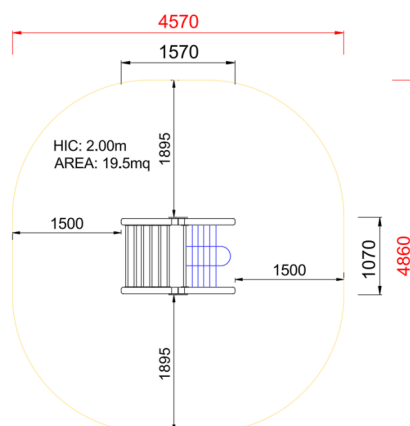
Pozza 1865 S.R.L.

Country of manufacturing

ITALY



Plan



Picture



Area di sicurezza totale / Total safety area: 19.5mq
Altezza Max di Caduta / Max falling height: 2.00m