

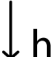
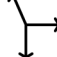



**+D0500.GT-03**  
**SABBIERA TONDA**



<b>Dimensions</b>	 Safety area	 Impact area	 Falling height HIC	 Physical footprint	 Number of users
	5 x 5 m	0 mq	60 cm	2 x 2 x 0,4 m	10

**Characteristics**



**Age range**

Da 2 a 12 anni

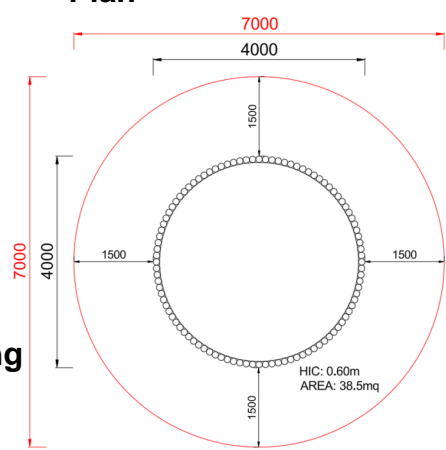
**Materials**



legno di pino

Made of CAM compliant wood.

**Plan**



**Picture**



**Manufacturer**

Pozza 1865 S.R.L.

**Country of manufacturing**



Area di sicurezza totale / Total safety area: 38.5mq  
Altezza Max di Caduta / Max falling height: 0.60m