

+AF623_L_ALU
PIACENZA - LEAVES



Dimensions	Safety area	Impact area	Falling height HIC	Physical footprint	Number of users
10 x 10,6 cm	0 mq	140 cm	7 x 7,1 x 3,5 cm	30	

Characteristics

Age range

3-12

Materials

Manufacturer

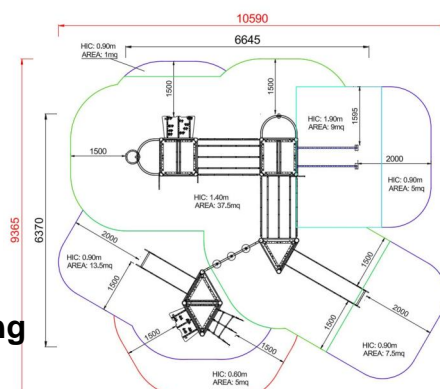
Pozza 1865 S.R.L.

Country of manufacturing

ITALY



Plan



Area di sicurezza totale / Total safety area: 78mq
Altezza Max di Caduta / Max falling height: 1.90m

Picture

