

+AF623_ALU
PIACENZA - FANTASY

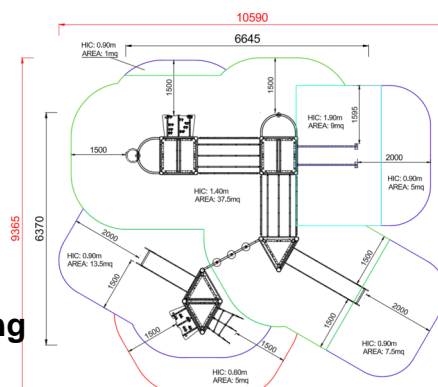


Dimensions	Safety area	Impact area	Falling height HIC	Physical footprint	Number of users
10,6 x 9,4 m	53.5 mq	190 cm	6,7 x 6,4 x 3,5 m	35	

Characteristics	hdpe	stainless steel screws	use under surveillance

Age range	Materials	Made of EN EV6060 anodized aluminium 9x9cm custom mold with rounded edges, minimum thickness 2,7mm
Da 3 a 12 anni	 anodised aluminium	

Plan



Picture



Manufacturer
Pozza 1865 S.R.L.

Country of manufacturing



Area di sicurezza totale / Total safety area: 78mq
Altezza Max di Caduta / Max falling height: 1.90m

Components list



xABACOU0600-N_ALU - NG Panel with numbers-1
NR 1 Made of colored polyethylene, sandwich type, with central rotating disk.



xABACOU0600-S_ALU - NG Mirror MAGIC Panel
NR 2 Made of polyethylene, with mirror made polished stainless steel.



xBV-4.1_ALU - NG Treasure Hunt Panel
NR 1 .



xC1_ALU - NG Triangular platform, under tower
NR 1 Made of non-slip material



xC24_ALU - NG Balcony
NR 1 Made of painted steel, provided with stainless steel brackets for fixing them to the tower.



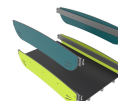
xCTBR0012_ALU - NG Fantasy holding bar
NR 1 Fantasy steel holding bar L.860



xG_120_00-60_ALU - NG Leg 120 from 00 60
NR 1 .



xGT-02_ALU - NG Flexible seat
NR 1 Flexible seat made of rubber with stainless steel supports



xPD-10_ALU - NG Fixed right bridge
NR 1 Walkway made of impregnated wood, with polyethylene parapets



xPD-6_ALU - NG Tibetan bridge-1
NR 1 The net is made of steel strands rope, 18 mm diameter, covered with a colored nylon braid, highly resistant. The knots are covered with shell-shape protections.



xPI-7_ALU - NG Inclined rope bridge
NR 1 Inclined rope bridge made of a curved painted steel supporting beam with three covered steel ropes



xPP-14_ALU - NG Fireman pole h 140 cm
NR 1 Made of tubular stainless steel



xPS-14_ALU - NG Spiral perch h 140 cm
NR 1 Composed by stainless steel tubular, support bracket and locking handles in painted steel



xQT12-14_ALU - NG Square tower h140 cm
NR 1 .



xQT4-14_ALU - NG Square tower h140 cm Fantasy

N. 1 Composed of 4 posts having a 9 x 9 mm section by aluminium, 1 square platform placed at a height of 140 cm. Coloured polyethylene gable roof



xS4-14_ALU - NG Steel ladder h140 cm

NR 1 Rungs made of stainless steel. Complete with steel bar.



xS6-6_ALU - NG Shroud lift h60 cm

NR 1 Composed by climbing net in steel rope. Included by thrust bar



xSCL1-14_ALU - NG Free-climbing inclined ramp h. 140

NR 1 H140 Climbing platform - Made of an HDPE panels with anti slip coating, resin climbing holds on top. Support structure made of painted and galvanized steel. All fixing elements made of stainless steel



xSCL1-6_ALU - NG Free-climbing inclined ramp h. 60 cm

N. 1 Consisting of non-slip multi-layer panel on which are fixed the resin supports, free-climbing type.



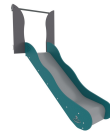
xSTI-14_ALU - NG Descending tube slide h 140 cm

NR 1 Stainless steel slide made of tubular type



xSVPX-14_ALU - NG Straight slide h140 cm Fantasy

NR 1 slide with lateral sides made of polyethylene and stainless steel slide certified according to the existing rules; starting platform height 140 cm; provided with a transversal bar.



xSVPX-9_ALU - NG Straight slide h90 cm Fantasy

NR 1 slide with lateral sides made of polyethylene and stainless steel slide certified according to the existing rules; starting platform height 90 cm; provided with a transversal bar.



xT-9_ALU - NG Triangular tower without roof h 90cm:

NR 1 Composed of 3 posts having a pentagonal section by lamellar wood, 1 square platform placed at a height of 90 cm.



xTT-14_ALU - NG Triangular Tower h140 with roof

NR 1 .