

+AE102B_ALU
PESCA BABY - EASY



Dimensions	Safety area	Impact area	Falling height HIC	Physical footprint	Number of users
	7,1 x 6,9 cm	33.5 mq	90 cm	41 x 3,4 x 2,8 cm	7

Characteristics

Age range

3-12

Materials

Manufacturer

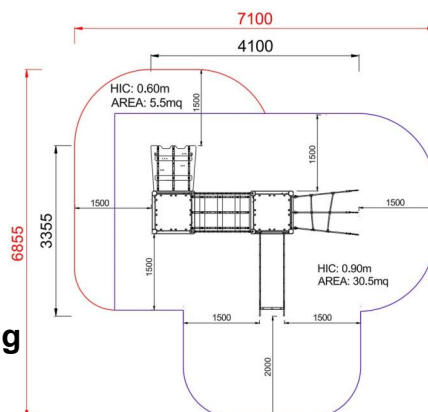
Pozza 1865 S.R.L.

Country of manufacturing

ITALY



Plan



Area di sicurezza totale / Total safety area: 36mq
Altezza Max di Caduta / Max falling height: 0.90m

Picture



Components list



xABACOGT-01_E_ALU - NG OXO Panel Easy

NR 1 Two colored polyethylene panel with serigraphy XOX symbols, 9 half-moon rolling panels, Inox steel bolts.



xP-2_E_ALU - NG Protection lateral panels with polycarbonate portholes Easy

NR 1 Made of polyethylene, with polycarbonate portholes, provided with stainless steel brackets for fixing them to the tower.



xP-7_E_ALU - NG Simple Green Panel

NR 1 .



xPI-10_E_ALU - NG Fixed inclined bridge Easy

NR 1 Walkway made of impregnated wood, with polyethylene parapets



xQ-4_E_ALU - NG Square tower h 40 cm Easy (without roof)

NR 1 Composed of 4 posts having a 9 x 9 cm section aluminium, 1 square platform placed at a height of 90 cm.



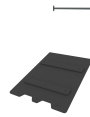
xQT4-9_E_ALU - NG Square tower h90 cm style Easy

NR 1 Composed by 4 posts having a 9 x 9 cm section by aluminium, 1 square platform placed at a height of 90 cm. Coloured polyethylene gable roof.



xS6-9_E_ALU - NG Shroud lift h90 cm Easy

NR 1 Composed by climbing net in steel rope. Included by thrust bar



xSCL2-4_ALU - NG Climbing Platform h40 cm

NR 1 .



xSVPX-9_E_ALU - NG Straight slide h90 cm Easy

NR 1 Easy slide with lateral sides made of polyethylene and stainless steel slide certified according to the existing rules; starting platform height 90 cm; provided with a transversal bar.