

**+AE102PB\_ALU**  
**PESCA BABY CON PALESTRA - EASY**



Dimensions	Safety area	Impact area	Falling height HIC	Physical footprint	Number of users
7,1 x 7,1 cm	36 mq	90 cm	4,1 x 3,6 x 2,8 cm	8	

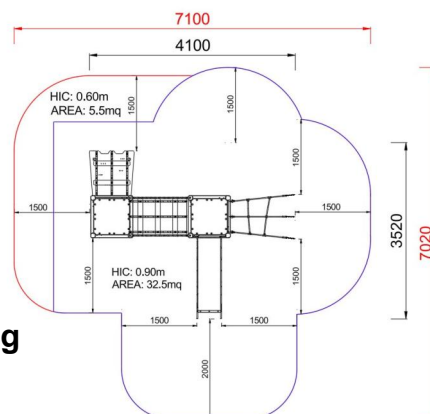
**Characteristics**

**Age range**

3-12

**Materials**

**Plan**



Area di sicurezza totale / Total safety area: 38mq  
Altezza Max di Caduta / Max falling height: 0.90m

**Picture**



**Manufacturer**

Pozza 1865 S.R.L.

**Country of manufacturing**

ITALY



## Components list



### **xABACOGT-01\_E\_ALU - NG OXO Panel Easy**

NR 1 Two colored polyethylene panel with serigraphy XOX symbols, 9 half-moon rolling panels, Inox steel bolts.



### **xP-2\_E\_ALU - NG Protection lateral panels with polycarbonate portholes Easy**

NR 1 Made of polyethylene, with polycarbonate portholes, provided with stainless steel brackets for fixing them to the tower.



### **xP-7\_E\_ALU - NG Simple Green Panel**

NR 1 .



### **xPAL-04b\_ALU - NG Climbing**

NR 1 Made with stainless steel rugs and recycled material base with resin climbing rocks



### **xPI-6\_E\_ALU - NG Tibetan bridge Easy**

NR 1 The net is made of steel strands rope, 18 mm diameter, covered with a colored nylon braid, highly resistant. The knots are covered with shell-shape protections.



### **xQ-4\_E\_ALU - NG Square tower h 40 cm Easy (without roof)**

NR 1 Composed of 4 posts having a 9 x 9 cm section aluminium, 1 square platform placed at a height of 90 cm.



### **xQT4-9\_E\_ALU - NG Square tower h90 cm style Easy**

NR 1 Composed by 4 posts having a 9 x 9 cm section by aluminium, 1 square platform placed at a height of 90 cm. Coloured polyethylene gable roof.



### **xS6-9\_E\_ALU - NG Shroud lift h90 cm Easy**

NR 1 Composed by climbing net in steel rope. Included by thrust bar



### **xSCL2-4\_ALU - NG Climbing Platform h40 cm**

NR 1 .