

+U0100.PD-5_ALU PASSERELLA OSCILLANTE



Dimensions	Safety area	Impact area	Falling height HIC	Physical footprint	Number of users
	6,2 x 4,1 m	0 mq	60 cm	3,2 x 1,1 x 1,3 m	5

Characteristics



Age range

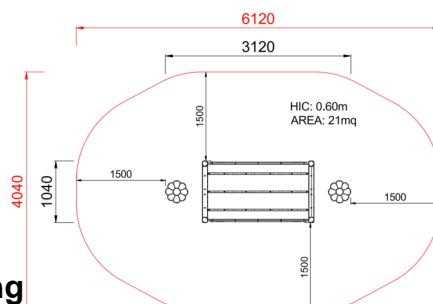
Da 2 a 12 anni

Materials



Made of EN EV6060 anodized aluminium 9x9cm custom mold with rounded edges, minimum thickness 2,7mm

Plan



Picture



Manufacturer

Pozza 1865 S.R.L.

Country of manufacturing

ITALY



Area di sicurezza totale / Total safety area: 21mq
Altezza Max di Caduta / Max falling height: 0.60m

Components list



xPD-5_ALU - NG Right mobile bridge

N. 1 Mobile bridge made of a painted steel frame with HDPE moving flowers as base and a rubber floor for safety



0452 - CENTRAL SUPPORT

NR 1 metal component for modular compositions



x0399_ALU - NG Closing handles

N. 2 Pair of stainless steel locking handles