

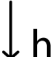
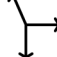



+U0600.BV-3_ALU
PANNELLO GALASSIA



Dimensions	 Safety area	 Impact area	 Falling height HIC	 Physical footprint	 Number of users
	4,1 x 3,1 m	0 mq	60 cm	1,1 x 0,9 x 0,8 m	2

Characteristics



Age range
Da 2 a 12 anni

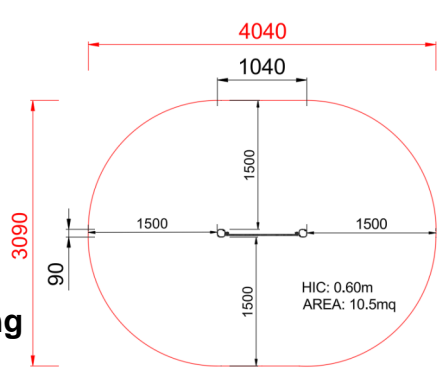
Materials



Made of EN EV6060 anodized aluminium 9x9cm custom mold with rounded edges, minimum thickness 2,7mm



Plan



Picture



Manufacturer

Pozza 1865 S.R.L.

Country of manufacturing



Area di sicurezza totale / Total safety area: 10.5mq
Altezza Max di Caduta / Max falling height: 0.60m