

**+U0400.C\_ALU**  
**PANNELLO DENTRO FUORI**



Dimensions	Safety area	Impact area	Falling height HIC	Physical footprint	Number of users
4,1 x 3,1 m	0 mq	60 cm	1,1 x 0,9 x 0,8 m	2	

**Characteristics**



**Age range**

Da 2 a 12 anni

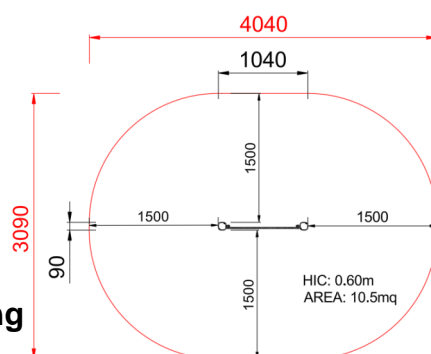
**Materials**



Made of EN EV6060 anodized aluminium 9x9cm custom mold with rounded edges, minimum thickness 2,7mm



**Plan**



**Picture**



**Manufacturer**

Pozza 1865 S.R.L.

**Country of manufacturing**

ITALY



Area di sicurezza totale / Total safety area: 10.5mq  
Altezza Max di Caduta / Max falling height: 0.60m

---

## Components list



**xG\_90X90\_00-60\_ALU - NG Leg 90x90**  
from 00 60  
N. 2 .



**xP-3C\_ALU - NG Panels inside-out**  
NR 1 Made of polyethylene shaped with  
a central geometric hole, provided with  
stainless steel brackets for fixing them to  
the tower