

+G0050
PALO ROTANTE



Dimensions	Safety area	Impact area	Falling height HIC	Physical footprint	Number of users
	4,5 x 4,5 m	0 mq	90 cm	0,5 x 0,5 x 0 m	3

Characteristics



Age range

Da 3 a 12 anni

Materials



Hot-dip galvanized and powder coated or powder galvanized and powder coated steel construction of 90 x 90 mm or 120 diameter profile

Manufacturer

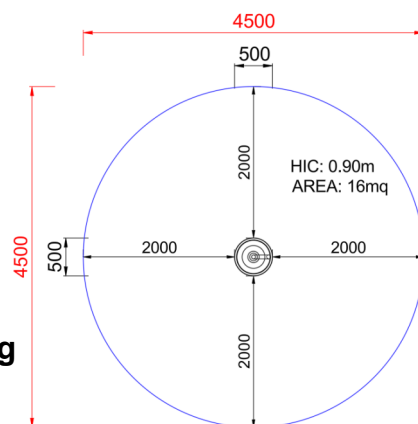
Pozza 1865 S.R.L.

Country of manufacturing

ITALY



Plan



Picture



Area di sicurezza totale / Total safety area: 16mq
Altezza Max di Caduta / Max falling height: 0.90m