

+AF104K.AF100AB_ALU

ORIONE CON KIT ALTALENA - FANTASY



Dimensions	Safety area	Impact area	Falling height HIC	Physical footprint	Number of users
	12 x 12,5 m	66.5 mq	190 cm	10,7 x 8,6 x 3,6 m	35

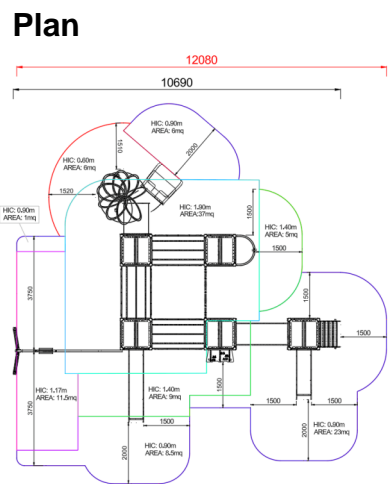
Characteristics	hdpe	stainless steel screws	use under surveillance

Age range	Materials	Made of EN EV6060 anodized aluminium 9x9cm custom mold with rounded edges, minimum thickness 2,7mm
Da 3 a 12 anni		



Manufacturer
Pozza 1865 S.R.L.

Country of manufacturing
ITALY



Components list



x0399_ALU - NG Closing handles
NR 4 Pair of stainless steel locking handles



xABACOU0600-N_ALU - NG Panel with numbers-1
NR 1 Made of colored polyethylene, sandwich type, with central rotating disk.



xALT-01_ALU - NG Swing kit with seat
NR 1 Made with painted steel girder and two easel supporting grids in lamellar wood. Rubber anti-shock seat with metal reinforcement inside. Chains made by hot galvanized steel rod; chain mesh avoiding fingers entrapment. Joints made by hot galvanized steel with swinging central joint



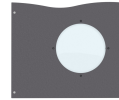
xBV-3_ALU - NG Galaxy panel
NR 1 Vertical panel made of polyethylene



xBV-4.1_ALU - NG Treasure Hunt Panel
NR 1 .



xBV-4_ALU - NG Activity panel
NR 1 Made of colored polyethylene, sandwich type, with flow lanes, rotating disk and central knob



xP-2_ALU - NG Protection lateral panels with polycarbonate portholes
NR 1 Made of polyethylene, with polycarbonate portholes, provided with stainless steel brackets for fixing them to the tower.



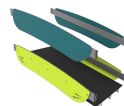
xP-7.1_ALU - NG Simple Turquoise Panel
NR 1 .



xP-7_ALU - NG Simple Lime Panel
NR 1 Panel made of HDPE polyethylene, bi-color 86cm in width with drawing on the outer layer. all the fixing elements in Stainless steel



xPAL-12_ALU - NG Single Vertical Wall Bars
NR 3 .



xPI-10_ALU - NG Fixed inclined bridge Fantasy
NR 2 Walkway made of impregnated wood, with polyethylene parapets



xPI-6_ALU - NG Tibetan bridge
NR 1 The net is made of steel strands rope, 18 mm diameter, covered with a colored nylon braid, highly resistant. The knots are covered with shell-shape protections.



xPP-14_ALU - NG Fireman pole h 140 cm
NR 1 Made of tubular stainless steel



xQ-6_ALU - NG Square tower h 60 cm (without roof)

N. 1 manufactured with 4 posts having a 90 x 90 mm section by lamellar wood, 1 square platform placed at a height of 60 cm.



xQT12-14_ALU - NG Square tower h140 cm

NR 1 .



xQT12-9_ALU - NG Square tower h90 cm

N. 1 .



xQT4-19_ALU - NG Square tower h 190 cm:

NR 1 Composed of 4 posts having a 9 x 9 cm section by lamellar wood, 1 square platform placed at a height of 190 cm. Coloured polyethylene gable roof.



xS-9_ALU - NG Climbing ladder h90 cm Fantasy

NR 1 made of aluminium, complete with handrails and protective panels made of polyethylene



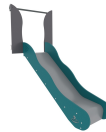
xSCL1-9_ALU - NG Free-climbing inclined ramp h 90 cm

NR 1 H90 Climbing platform - Made of an HDPE panels with anti slip coating, resin climbing holds on top. Support structure made of painted and galvanized steel. All fixing elements made of stainless steel



xSVPX-14_ALU - NG Straight slide h140 cm Fantasy

NR 1 slide with lateral sides made of polyethylene and stainless steel slide certified according to the existing rules; starting platform height 140 cm; provided with a transversal bar.



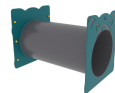
xSVPX-9_ALU - NG Straight slide h90 cm Fantasy

NR 1 slide with lateral sides made of polyethylene and stainless steel slide certified according to the existing rules; starting platform height 90 cm; provided with a transversal bar.



xSW-E-19_ALU - NG Tube Slide h190 (spiral)

NR 1 .



xTT-17_ALU - NG Polyethylene Tunnel Fantasy

NR 1 Made of polyethylene provided with panels of connection to polyethylene turrets