

+J09001

## NEST SPRING RIDER



Dimensions	Safety area	Impact area	Falling height HIC	Physical footprint	Number of users
4,2 x 4,2 m	0 mq	90 cm	1,2 x 1,2 x 0,7 m	5	

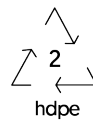
### Characteristics



### Age range

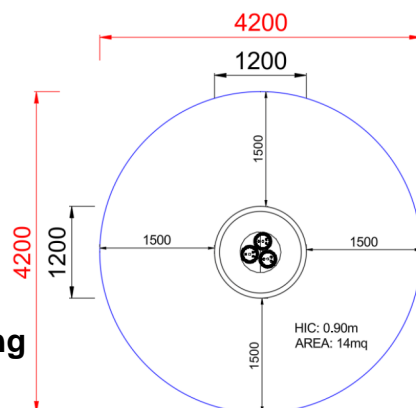
From 2 to 12 years

### Materials



Made of high density polyethylene.

### Plan



### Picture



### Manufacturer

Pozza 1865 S.R.L.

### Country of manufacturing

ITALY



Area di sicurezza totale / Total safety area: 14mq  
Altezza Max di Caduta / Max falling height: 0.90m