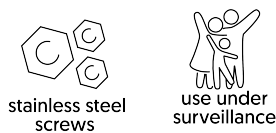


+B0200.110_ALU
MIXED VERTICAL SWING



Dimensions	Safety area	Impact area	Falling height HIC	Physical footprint	Number of users
7,5 x 3,8 m	5.5 mq	135 cm	0,4 x 3,6 x 2,4 m	2	

Characteristics



Age range

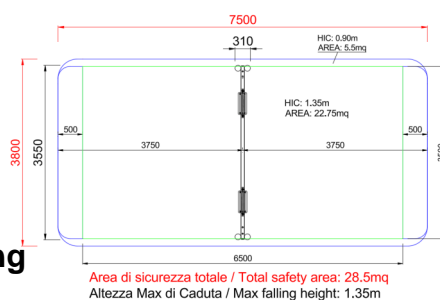
2-12

Materials



Made of EN EV6060 anodized aluminium 9x9cm custom mold with rounded edges, minimum thickness 2,7mm

Plan



Picture



Manufacturer

Pozza 1865 S.R.L.

Country of manufacturing

