

+AF102.POLY100_L_ALU

MERLINO WITH SLIDE AND FURNITURE - LEAVES



Dimensions	Safety area	Impact area	Falling height HIC	Physical footprint	Number of users
	7,3 x 8,1 m	29 mq	140 cm	4,3 x 4,6 x 3,5 m	20

Characteristics	hdpe	stainless steel screws	use under surveillance

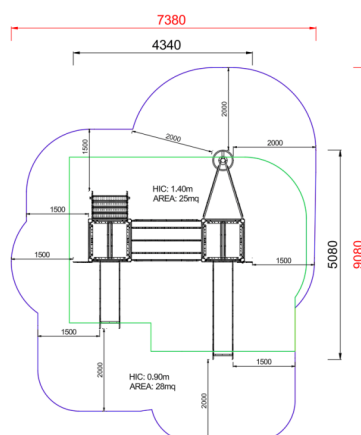
Age range
From 3 to 12 years

Materials

anodised aluminium

Made of EN EV6060 anodized aluminium 9x9cm custom mold with rounded edges, minimum thickness 2,7mm

Plan



Picture



Manufacturer
Pozza 1865 S.R.L.

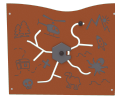
Country of manufacturing



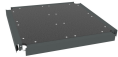
Components list



xABACOU0600-S_L_ALU - NG Mirror Panel Leaves
N. 1 .



xBV-4_L_ALU - NG Helicopter Activity Panel Leaves
N. 1 Made of colored polyethylene, sandwich type, with flow lanes, rotating disk and central knob



xC2_ALU - NG Square platform, under tower
NR 1 Made of non slip material.



xGT-04_ALU - NG Furniture under the tower-2
NR 1 1 small table and 1 corner bench in polyethylene. Support made of a galvanized steel.



xLP-20_ALU - NG Large Leaf Accessory
N. 1 Leaves panel



xLP-5_ALU - NG Small Leaf Accessory
N. 1 Leaves panel



xP-7_L_ALU - NG Green Simple Panel
N. 2 Panel made of HDPE polyethylene, bi-color 86cm in width with drawing on the outer layer. all the fixing elements in Stainless steel



xQT12-9_ALU - NG Square tower h90 cm
N. 1 .



xQT4-14_L_ALU - NG Tower h140 with Roof Leaves
N. 1 Composed by 4 posts having a 9 x 9 cm section by aluminium, 1 square platform placed at a height of 140 cm. Coloured polyethylene gable roof.



xSVPX-14_L_ALU - NG Poly-Inox Slide h140 Leaves

N. 1 slide with lateral sides made of polyethylene and stainless steel slide certified according to the existing rules; starting platform height 140 cm; provided with a transversal bar.



xSVPX-9_L_ALU - NG Poly-Inox Slide h90 Leaves

N. 1 slide with lateral sides made of polyethylene and stainless steel slide certified according to the existing rules; starting platform height 90 cm; provided with a transversal bar.