

+AF102B.PD-5_L_ALU

MERLINO BABY WITH MOBILE BRIDGE - LEAVES



Dimensions



Safety area

7,3 x 6,1 m



Impact area

0 mq



Falling height HIC

90 cm



Physical footprint

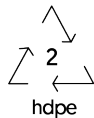
4,3 x 2,6 x 2,8 m



Number of users

15

Characteristics



hdpe



stainless steel screws



use under surveillance

Age range

From 3 to 12 years

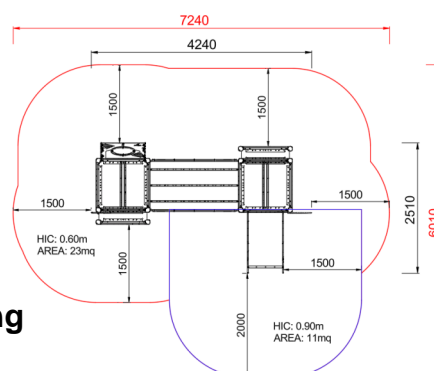
Materials



anodised aluminium

Made of EN EV6060 anodized aluminium 9x9cm custom mold with rounded edges, minimum thickness 2,7mm

Plan



Picture



Manufacturer

Pozza 1865 S.R.L.

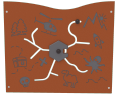
Country of manufacturing

ITALY



Area di sicurezza totale / Total safety area: 34mq
Altezza Max di Caduta / Max falling height: 0.90m

Components list



xBV-4_L_ALU - NG Helicopter Activity Panel Leaves

N. 1 Made of colored polyethylene, sandwich type, with flow lanes, rotating disk and central knob



xS12-4_ALU - NG Inclusive staircase h40 cm

NR 2 Inclusive stair h40 made of carpely and aluminum



xCTBR0012_ALU - NG Fantasy holding bar

NR 2 Fantasy steel holding bar L.860



xLP-20_ALU - NG Large Leaf Accessory

N. 1 Leaves panel



xLP-5_ALU - NG Small Leaf Accessory

N. 1 Leaves panel



xP-7_L_ALU - NG Green Simple Panel

N. 1 Panel made of HDPE polyethylene, bi-color 86cm in width with drawing on the outer layer. all the fixing elements in Stainless steel



xPD-5_ALU - NG Right mobile bridge

N. 1 Mobile bridge made of a painted steel frame with HDPE moving flowers as base and a rubber floor for safety



xQ-6_ALU - NG Square tower h 60 cm (without roof)

N. 1 manufactured with 4 posts having a 90 x 90 mm section by lamellar wood, 1 square platform placed at a height of 60 cm.