

+F0100.J02001
LION SPRING ROCKER



Dimensions	Safety area	Impact area	Falling height HIC	Physical footprint	Number of users
	3,7 x 3,6 m	0 mq	90 cm	0,7 x 0,6 x 0,8 m	3

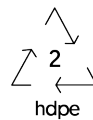
Characteristics



Age range

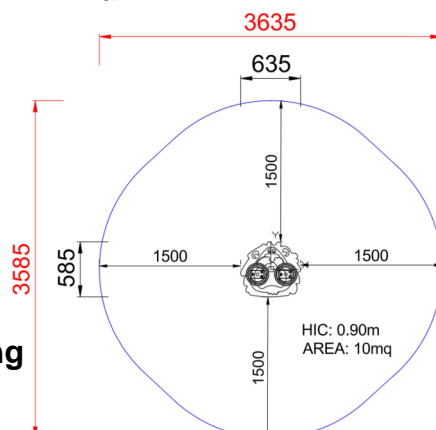
From 3 to 12 years

Materials



Made of high density polyethylene.

Plan



Picture



Manufacturer

Pozza 1865 S.R.L.

Country of manufacturing

ITALY



Area di sicurezza totale / Total safety area: 10mq
Altezza Max di Caduta / Max falling height: 0.90m