

+AF200.STI-9_L_ALU
KOS WITH LIFTS - LEAVES

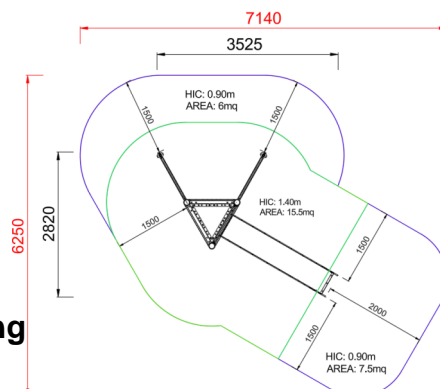


Dimensions	Safety area	Impact area	Falling height HIC	Physical footprint	Number of users
	7,3 x 5,7 m	18 mq	140 cm	3,8 x 2,7 x 3,4 m	5

Characteristics	hdpe	stainless steel screws	use under surveillance

Age range	Materials	Made of EN EV6060 anodized aluminium 9x9cm custom mold with rounded edges, minimum thickness 2,7mm
From 3 to 12 years	 anodised aluminium	

Plan



Picture



Manufacturer
Pozza 1865 S.R.L.

Country of manufacturing



Area di sicurezza totale / Total safety area: 29mq
Altezza Max di Caduta / Max falling height: 1.40m

Components list



x0399_ALU - NG Closing handles

NR 1 Pair of stainless steel locking handles



xP-7_L_ALU - NG Green Simple Panel

N. 1 Panel made of HDPE polyethylene, bi-color 86cm in width with drawing on the outer layer. all the fixing elements in Stainless steel



xPAL-01C_ALU - NG Net gym

NR 1 Vertical net with frame made of painted steel supporting a climbing net made of steel rope with nylon cover



xPAL-04b_ALU - NG Climbing

NR 1 Made with stainless steel rugs and recycled material base with resin climbing rocks



xPAL-12_ALU - NG Single Vertical Wall Bars

NR 2 .



xSVPX-14_L_ALU - NG Poly-Inox Slide h140 Leaves

N. 1 slide with lateral sides made of polyethylene and stainless steel slide certified according to the existing rules; starting platform height 140 cm; provided with a transversal bar.