

+V0300.GT-01_ALU
JUNGLE CORNER

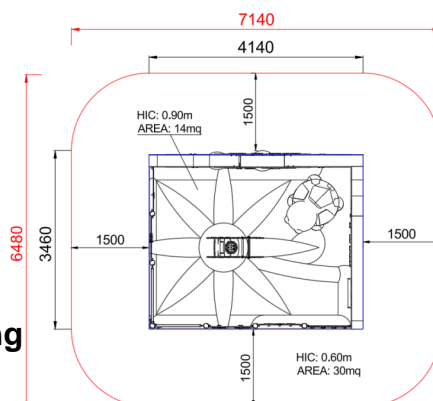


Dimensions	Safety area	Impact area	Falling height HIC	Physical footprint	Number of users
	7,2 x 6,5 m	0 mq	90 cm	4,2 x 3,6 x 2,9 m	10

Characteristics	stainless steel screws	use under surveillance

Age range	Materials	Made of EN EV6060 anodized aluminium 9x9cm custom mold with rounded edges, minimum thickness 2,7mm
Da 2 a 12 anni	anodised aluminium	

Plan



Picture



Manufacturer
Pozza 1865 S.R.L.

Country of manufacturing
ITALY

Area di sicurezza totale / Total safety area: 44mq
Altezza Max di Caduta / Max falling height: 0.90m