

+AE101B.SVPX-9_ALU HOOK BABY CON SARTIA - EASY

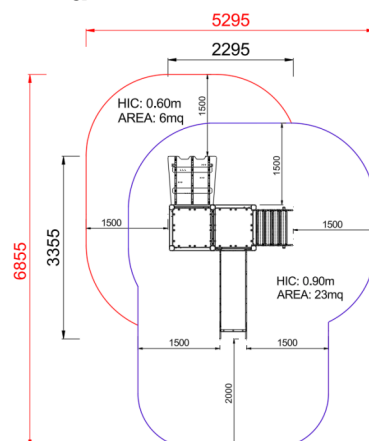


Dimensions	Safety area	Impact area	Falling height HIC	Physical footprint	Number of users
	5,3 x 6,9 m	0 mq	90 cm	2,3 x 3,4 x 2,8 m	10

Characteristics	hdpe	stainless steel screws	use under surveillance

Age range	Materials	Made of EN EV6060 anodized aluminium 9x9cm custom mold with rounded edges, minimum thickness 2,7mm
3-12	anodised aluminium	

Plan



Picture



Manufacturer
Pozza 1865 S.R.L.

Country of manufacturing
ITALY

Components list



xABACOGT-01_E_ALU - NG OXO Panel Easy

NR 1 Two colored polyethylene panel with serigraphy XOX symbols, 9 half-moon rolling panels, Inox steel bolts.



xC2_E_ALU - NG Square platform, under tower Easy

NR 1 Made of non slip material.



xG_90X90_00-60_ALU - NG Leg 90x90 from 00 60

N. 2 .



xGT-08_E_ALU - NG Climbing h50 cm Easy

NR 1 Climbing between towers made of recycled material with resin climbing rocks



xP-2_E_ALU - NG Protection lateral panels with polycarbonate portholes Easy

NR 1 Made of polyethylene, with polycarbonate portholes, provided with stainless steel brackets for fixing them to the tower.



xP-7.1_E_ALU - NG Simple Skyblue Panel

N. 1 .



xQT12-9_E_ALU - NG Easy Square tower h90 cm

NR 1 Composed by 4 posts having a 9 x 9 cm section by aluminium, 1 square platform placed at a height of 90 cm. Roof made of painted steel tubes.



xS-9_E_ALU - NG Climbing ladder h90 cm Easy

NR 1 made of aluminium, complete with handrails and protective panels made of polyethylene.



xSCL2-4_ALU - NG Climbing Platform h40 cm

NR 1 .



xSVPX-9_E_ALU - NG Straight slide h90 cm Easy

NR 1 Easy slide with lateral sides made of polyethylene and stainless steel slide certified according to the existing rules; starting platform height 90 cm; provided with a transversal bar.