

+F0100.4_ALU
HALF-MOON ROCKER



Dimensions	Safety area	Impact area	Falling height HIC	Physical footprint	Number of users
5,1 x 3,3 m	0 mq	40 cm	2,1 x 0,3 x 1,2 m	2	

Characteristics

Age range

3-12

Materials

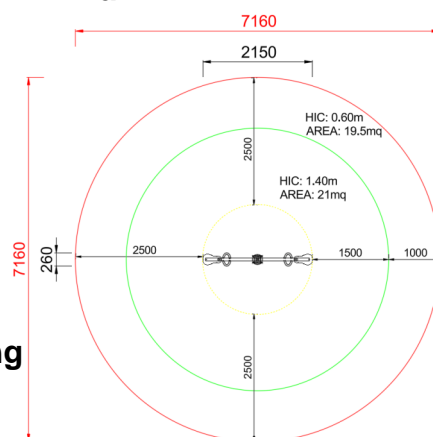
Manufacturer

Pozza 1865 S.R.L.

Country of manufacturing



Plan



Area di sicurezza totale / Total safety area: 40.5mq
Altezza Max di Caduta / Max falling height: 1.40m

Picture

