

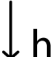
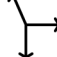



**+C0800.PAL-01**  
**GYM RETE ARRAMPICATA SOSPESA**



Dimensions	 Safety area	 Impact area	 Falling height HIC	 Physical footprint	 Number of users
	6,1 x 6 m	34.5 mq	140 cm	3,1 x 3 x 1,6 m	15

**Characteristics**



**Age range**

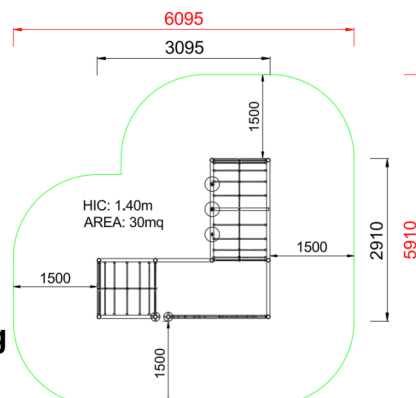
From 3 to 12 years

**Materials**



Hot-dip galvanized and powder coated or powder galvanized and powder coated steel construction of 90 x 90 mm or 120 diameter profile

**Plan**



**Picture**



**Manufacturer**

Pozza 1865 S.R.L.

**Country of manufacturing**



Area di sicurezza totale / Total safety area: 30mq  
Altezza Max di Caduta / Max falling height: 1.40m