

+C0800.SCL1-14 GYM PIRAMIDE ARRAMPICATA



Dimensions	Safety area	Impact area	Falling height HIC	Physical footprint	Number of users
8,1 x 6,9 m	52.5 mq	240 cm	3,9 x 2,7 x 2,4 m	20	

Characteristics



Age range

From 3 to 12 years

Materials

HPL

A durable, versatile and high quality material powder composed of multiple layers of decorative pigments with a polymeric resin powder decorative paper construction of compressed under high pressure and a diameter profile renowned for being water-resistant, hygienic, and highly resistant to scratches and impacts

Manufacturer

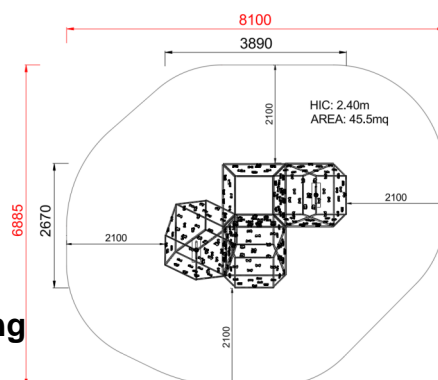
Pozza 1865 S.R.L.

Country of manufacturing

ITALY



Plan



Area di sicurezza totale / Total safety area: 45.5mq
Altezza Max di Caduta / Max falling height: 2.40m

Picture

