

**+C0300\_ALU**  
**GYM CUBO**



<b>Dimensions</b>	Safety area	Impact area	Falling height HIC	Physical footprint	Number of users
	6 x 6 m	36.5 mq	200 cm	2 x 2 x 2,2 m	10

**Characteristics**



**Age range**

From 3 to 12 years

**Materials**



Made of EN EV6060 anodized aluminium 9x9cm custom mold with rounded edges, minimum thickness 2,7mm

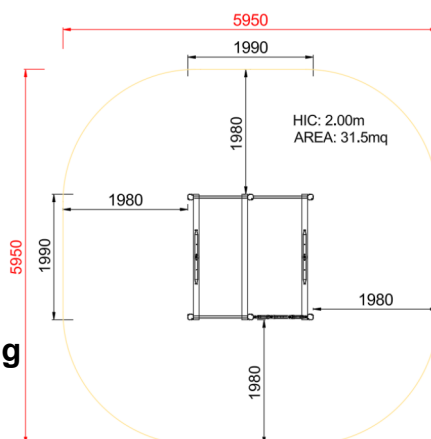
**Manufacturer**

Pozza 1865 S.R.L.

**Country of manufacturing**



**Plan**

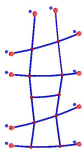


Area di sicurezza totale / Total safety area: 31.5mq  
Altezza Max di Caduta / Max falling height: 2.00m

**Picture**

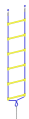


## Components list



### **PAL-08 - Vertical shroud**

NR 1 Made climbing net made in steel rope coated and fixed to the supporting structure with retractable bolts



### **CTSC0007 - Climbing Ladder in rope:**

NR 1 Made with climbing net made in coated steel rope, rungs in polymer, distance between holes cm. 40. Starting with through-screw with two chains to be fixed to the ground. Complete with chain to be fixed to the ground.



### **CTFU0001 - Climbing rope**

NR 1 Climbing rope: Climbing rope in coated steel, with no. 4 supports, fixed with bolts to the horizontal support beam. Equipped with chain to be fixed to the ground.



### **0886 - Ladder INOX**

NR 8 Made of: stainless steel



### **0170 - Climbing ladder**

NR 1 Climbing ladder made of aluminum



### **xCTSS0051\_ALU - NG Stainless Steel Spacer**

NR 3 Stainless Steel Spacer



### **0374 - Stainless Steel supporting beam**

NR 1 Supporting beam for ladders made of stainless steel