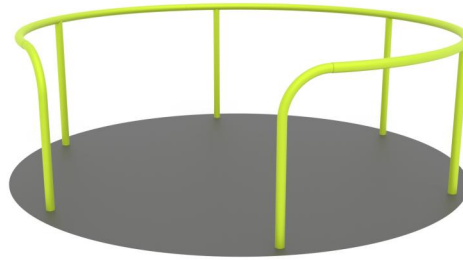


+G0300H1.1

GIOSTRA GIROTONDO INCLUSIVE MINIMAL



Dimensions	Safety area	Impact area	Falling height HIC	Physical footprint	Number of users
	5,8 x 5,8 m	0 mq	90 cm	1,8 x 1,8 x 0 m	8

Characteristics



Age range

Da 3 a 12 anni

Materials



Hot-dip galvanized and powder coated or powder galvanized and powder coated steel construction of 90 x 90 mm or 120 diameter profile



Manufacturer

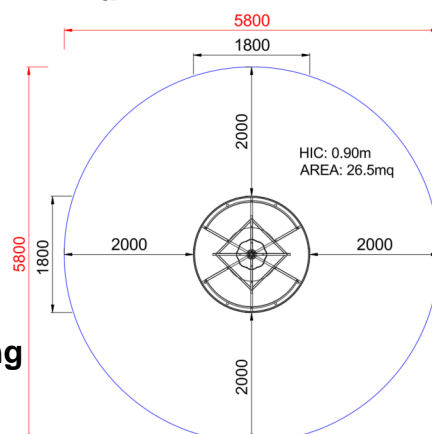
Pozza 1865 S.R.L.

Country of manufacturing

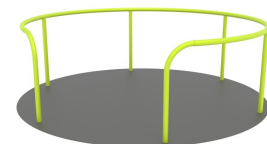
ITALY



Plan



Picture



Area di sicurezza totale / Total safety area: 26.5mq
Altezza Max di Caduta / Max falling height: 0.90m