

**+G0300H1**  
**GIOSTRA GIROTONDO INCLUSIVE**



Dimensions	Safety area	Impact area	Falling height HIC	Physical footprint	Number of users
	5,8 x 5,8 m	0 mq	90 cm	1,8 x 1,8 x 0 m	7

**Characteristics**



**Age range**

Da 3 a 12 anni

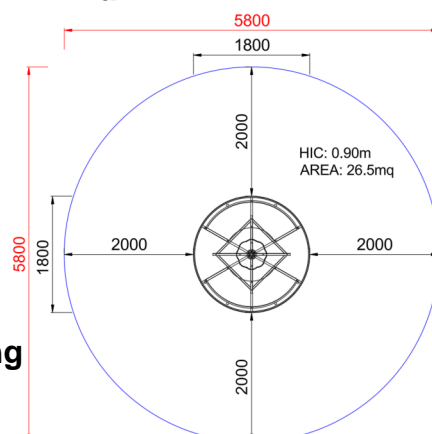
**Materials**



Hot-dip galvanized and powder coated or powder galvanized and powder coated steel construction of 90 x 90 mm or 120 diameter profile



**Plan**



**Picture**



**Manufacturer**

Pozza 1865 S.R.L.

**Country of manufacturing**



Area di sicurezza totale / Total safety area: 26.5mq  
Altezza Max di Caduta / Max falling height: 0.90m