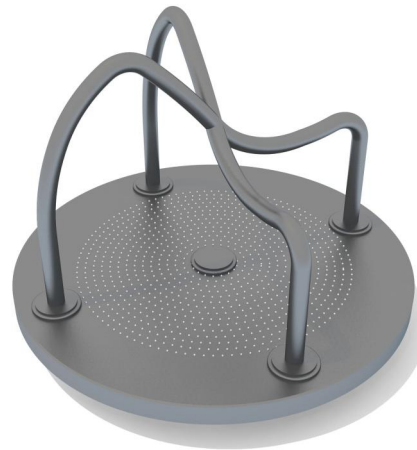


**+G0600**  
**GIOSTRA A TUBI**



Dimensions	Safety area	Impact area	Falling height HIC	Physical footprint	Number of users
5,3 x 5,3 m	0 mq	90 cm	1,3 x 1,3 x 0 m	8	

**Characteristics**



**Age range**

Da 3 a 12 anni

**Materials**



Hot-dip galvanized and powder coated or powder galvanized and powder coated steel construction of 90 x 90 mm or 120 diameter profile

**Manufacturer**

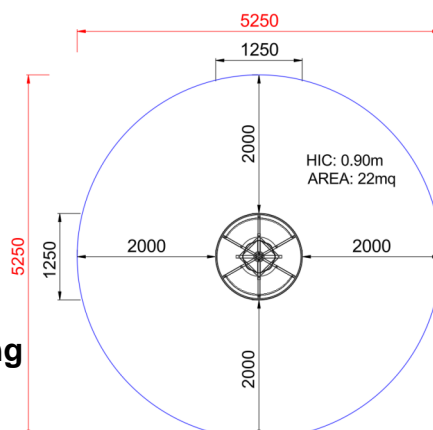
Pozza 1865 S.R.L.

**Country of manufacturing**

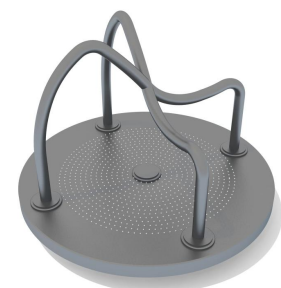
ITALY



**Plan**



**Picture**



Area di sicurezza totale / Total safety area: 22mq  
Altezza Max di Caduta / Max falling height: 0.90m