

+AF100B.SG-14_L_ALU FRAGOLA WITH PERCH - LEAVES

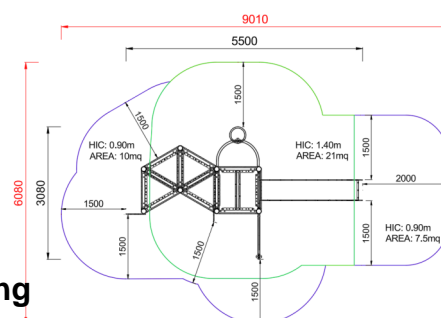


Dimensions	Safety area	Impact area	Falling height HIC	Physical footprint	Number of users
6 x 8,6 m	24.5 mq	140 cm	3 x 5,1 x 3,5 m	15	

Characteristics	hdpe	stainless steel screws	use under surveillance

Age range	Materials	Made of EN EV6060 anodized aluminium 9x9cm custom mold with rounded edges, minimum thickness 2,7mm
From 3 to 12 years	anodised aluminium	

Plan



Picture



Manufacturer
Pozza 1865 S.R.L.

Country of manufacturing



Components list



xGT-08_ALU - NG Climbing h50 cm
NR 1 Climbing between towers made of recycled material with resin climbing rocks



xLP-20_ALU - NG Large Leaf Accessory
N. 1 Leaves panel



xLP-5_ALU - NG Small Leaf Accessory
N. 1 Leaves panel



xPAL-04b_ALU - NG Climbing
NR 1 Made with stainless steel rugs and recycled material base with resin climbing rocks



xPR_ALU - NG Fantasy Railing
NR 1 Fantasy railing in painted steel



xPS-14_ALU - NG Spiral perch h 140 cm
NR 1 Composed by stainless steel tubular, support bracket and locking handles in painted steel



xQT4-14_L_ALU - NG Tower h140 with Roof Leaves
N. 1 Composed by 4 posts having a 9 x 9 cm section by aluminium, 1 square platform placed at a height of 140 cm. Coloured polyethylene gable roof.



xSVPX-14_L_ALU - NG Poly-Inox Slide h140 Leaves
N. 1 slide with lateral sides made of polyethylene and stainless steel slide certified according to the existing rules; starting platform height 140 cm; provided with a transversal bar.



xT-9_ALU - NG Triangular tower without roof h 90cm:
NR 1 Composed of 3 posts having a pentagonal section by lamellar wood, 1 square platform placed at a height of 90 cm.