

+AF100B.Q-6_L_ALU
FATA H60 W/O ROOF - LEAVES

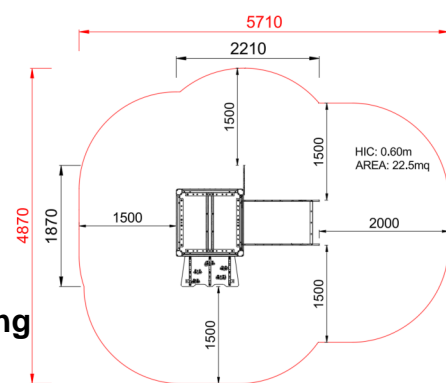


Dimensions	Safety area	Impact area	Falling height HIC	Physical footprint	Number of users
6 x 4,9 m	0 mq	60 cm	2,5 x 1,9 x 2,4 m	5	

Characteristics	hdpe	stainless steel screws	use under surveillance

Age range	Materials	Made of EN EV6060 anodized aluminium 9x9cm custom mold with rounded edges, minimum thickness 2,7mm
From 2 to 12 years		

Plan



Picture



Manufacturer
 Pozza 1865 S.R.L.

Country of manufacturing
 ITALY

Area di sicurezza totale / Total safety area: 22.5mq
 Altezza Max di Caduta / Max falling height: 0.60m

Components list



xBV-10_ALU - NG Braille Panel
N. 1 .



xP-7_L_ALU - NG Green Simple Panel
N. 1 Panel made of HDPE polyethylene, bi-color 86cm in width with drawing on the outer layer. all the fixing elements in Stainless steel



xQ-6_ALU - NG Square tower h 60 cm (without roof)
N. 1 manufactured with 4 posts having a 90 x 90 mm section by lamellar wood, 1 square platform placed at a height of 60 cm.



xSCL1-6_ALU - NG Free-climbing inclined ramp h. 60 cm
N. 1 Consisting of non-slip multi-layer panel on which are fixed the resin supports, free-climbing type.