

+AF100B.Q-6_ALU
FATA H60 SENZA TETTO - FANTASY

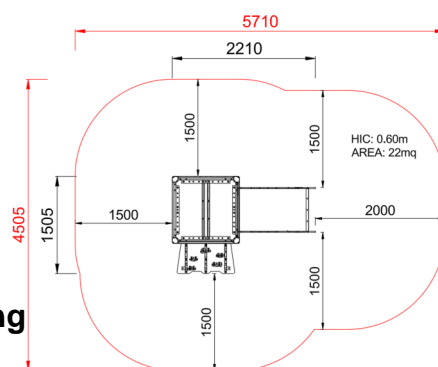


Dimensions	Safety area	Impact area	Falling height HIC	Physical footprint	Number of users
5,8 x 4,6 m	0 mq	60 cm	2,3 x 1,6 x 2,5 m	6	

Characteristics	hdpe	stainless steel screws	use under surveillance

Age range	Materials	Made of EN EV6060 anodized aluminium 9x9cm custom mold with rounded edges, minimum thickness 2,7mm
Da 2 a 12 anni	 anodised aluminium	

Plan



Picture



Manufacturer
Pozza 1865 S.R.L.

Country of manufacturing

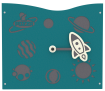


Area di sicurezza totale / Total safety area: 22mq
Altezza Max di Caduta / Max falling height: 0.60m

Components list



xBV-10_ALU - NG Braille Panel
N. 1 .



xBV-3_ALU - NG Galaxy panel
NR 1 Vertical panel made of polyethylene



xQ-6_ALU - NG Square tower h 60 cm (without roof)
N. 1 manufactured with 4 posts having a 90 x 90 mm section by lamellar wood, 1 square platform placed at a height of 60 cm.



xSCL1-6_ALU - NG Free-climbing inclined ramp h. 60 cm
N. 1 Consisting of non-slip multi-layer panel on which are fixed the resin supports, free-climbing type.



xSVPXH-6_ALU - NG Poly-Inox Slide h60 (inclusive) Fantasy
N. 1 .



xT3_ALU - NG Simple roof
NR 1 HDPE Polyethylene roof with stainless steel fixing bracket