

+AF100B.GT-07_L_ALU FATA BABY WITH SEDUTA - LEAVES

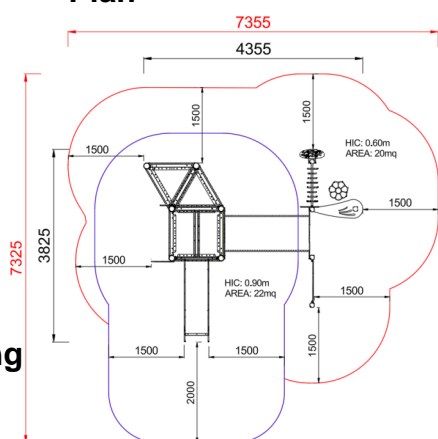


Dimensions	Safety area	Impact area	Falling height HIC	Physical footprint	Number of users
6,8 x 7,2 m	0 mq	90 cm	3,3 x 4,2 x 3 m	15	

Characteristics	hdpe	stainless steel screws	use under surveillance

Age range	Materials	Made of EN EV6060 anodized aluminium 9x9cm custom mold with rounded edges, minimum thickness 2,7mm
From 3 to 12 years	anodised aluminium	

Plan



Picture



Manufacturer
Pozza 1865 S.R.L.

Country of manufacturing
ITALY

Area di sicurezza totale / Total safety area: 42mq
Altezza Max di Caduta / Max falling height: 0.90m

Components list



**xG_90X90_00-60_ALU - NG Leg 90x90
from 00 60**
N. 2 .



**xG_90X90_90-190_ALU - NG Leg
90x90 from 90 190**
NR 2 .



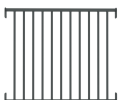
xGT-08_ALU - NG Climbing h50 cm
NR 1 Climbing between towers made of
recycled material with resin climbing
rocks



**xLP-20_ALU - NG Large Leaf
Accessory**
N. 1 Leaves panel



xLP-5_ALU - NG Small Leaf Accessory
N. 2 Leaves panel



xPR_ALU - NG Fantasy Railing
NR 1 Fantasy railing in painted steel



xSPD-1_ALU - NG Decorative panel
NR 1 Decorative panel



**xSVPX-9_L_ALU - NG Poly-Inox Slide
h90 Leaves**

N. 1 slide with lateral sides made of
polyethylene and stainless steel slide
certified according to the existing rules;
starting platform height 90 cm; provided
with a transversal bar.