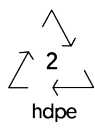
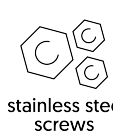



+AF103B.PD-5\_L\_ALU

## DRAGON BABY WITH MOBILE BRIDGE - LEAVES

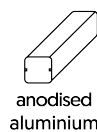


Dimensions	Safety area	Impact area	Falling height HIC	Physical footprint	Number of users
7,1 x 7,2 m	0 mq	90 cm	4,1 x 4,2 x 3 m	20	

Characteristics	hdpe	stainless steel screws	use under surveillance
			

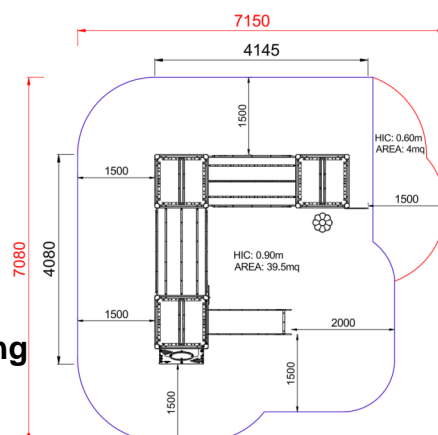
**Age range**  
From 3 to 12 years

### Materials



Made of EN EV6060 anodized aluminium 9x9cm custom mold with rounded edges, minimum thickness 2,7mm

### Plan



### Picture



### Manufacturer

Pozza 1865 S.R.L.

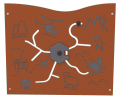
### Country of manufacturing

ITALY



Area di sicurezza totale / Total safety area: 43.5mq  
 Altezza Max di Caduta / Max falling height: 0.90m

## Components list



**xBV-4\_L\_ALU - NG Helicopter Activity Panel Leaves**

N. 1 Made of colored polyethylene, sandwich type, with flow lanes, rotating disk and central knob



**xGT-06\_ALU - NG Step Flower**

NR 1 Polyethylene flower supported by a galvanized steel bean



**xLP-20\_ALU - NG Large Leaf Accessory**

N. 1 Leaves panel



**xLP-5\_ALU - NG Small Leaf Accessory**

N. 1 Leaves panel



**xP-7\_L\_ALU - NG Green Simple Panel**

N. 1 Panel made of HDPE polyethylene, bi-color 86cm in width with drawing on the outer layer. all the fixing elements in Stainless steel



**xPD-5\_ALU - NG Right mobile bridge**

N. 1 Mobile bridge made of a painted steel frame with HDPE moving flowers as base and a rubber floor for safety



**xQ-4\_ALU - NG Square tower h 40 cm (without roof)**

NR 1 Composed of 4 posts having a 9 x 9 cm section by aluminium, 1 square platform placed at a height of 40 cm



**xQ-9\_ALU - NG Square tower without roof h90 cm**

NR 1 h90 cm tower without roof made of 4 EN EV6060 anodized aluminum post with custom mold 9x9cm with rounded edges, minimum thickness 2,7mm. Central platform made of HDPE polyethylene with anti slip coating and painted and anodized steel brackets. All the fixing elements made of stainless steel



**xS4-9\_ALU - NG Steel ladder h90 cm**

NR 1 rungs made of stainless steel. Complete with steel bar



**xSVPX-9\_L\_ALU - NG Poly-Inox Slide h90 Leaves**

N. 1 slide with lateral sides made of polyethylene and stainless steel slide certified according to the existing rules; starting platform height 90 cm; provided with a transversal bar.