

+AF103B.PD-5_ALU

DRAGON BABY CON PONTE MOBILE - FANTASY



Dimensions



Safety area

6,8 x 7,1 m



Impact area

0 mq



Falling height HIC

90 cm



Physical footprint

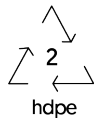
3,8 x 4,1 x 2,8 m



Number of users

18

Characteristics



hdpe



stainless steel screws



use under surveillance

Age range

Da 3 a 12 anni

Materials



anodised aluminium

Made of EN EV6060 anodized aluminium 9x9cm custom mold with rounded edges, minimum thickness 2,7mm



Manufacturer

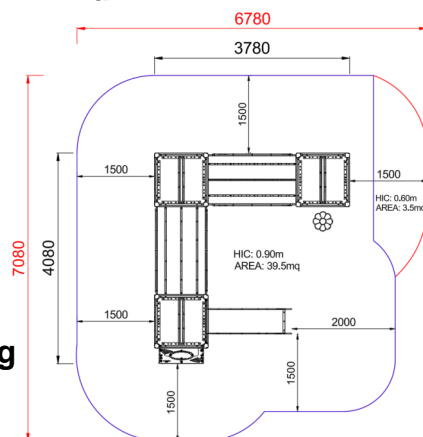
Pozza 1865 S.R.L.

Country of manufacturing

ITALY



Plan



Area di sicurezza totale / Total safety area: 43mq
Altezza Max di Caduta / Max falling height: 0.90m

Picture



Components list



xBV-3.1_ALU - NG Globe Panel
NR 1 .



xBV-4_ALU - NG Activity panel
NR 1 Made of colored polyethylene, sandwich type, with flow lanes, rotating disk and central knob



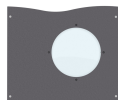
xC24_ALU - NG Balcony
NR 1 Made of painted steel, provided with stainless steel brackets for fixing them to the tower.



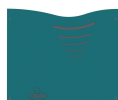
xCTBR0012_ALU - NG Fantasy holding bar
NR 1 Fantasy steel holding bar L.860



xGT-06_ALU - NG Step Flower
NR 1 Polyethylene flower supported by a galvanized steel bean



xP-2_ALU - NG Protection lateral panels with polycarbonate portholes
NR 1 Made of polyethylene, with polycarbonate portholes, provided with stainless steel brackets for fixing them to the tower.



xP-7.1_ALU - NG Simple Turquoise Panel
NR 1 .



xPD-5_ALU - NG Right mobile bridge
N. 1 Mobile bridge made of a painted steel frame with HDPE moving flowers as base and a rubber floor for safety



xPI-10_ALU - NG Fixed inclined bridge Fantasy
NR 1 Walkway made of impregnated wood, with polyethylene parapets



xQ-4_ALU - NG Square tower h 40 cm (without roof)
NR 1 Composed of 4 posts having a 9 x 9 cm section by aluminium, 1 square platform placed at a height of 40 cm



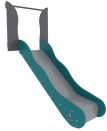
xQ-9_ALU - NG Square tower without roof h90 cm
NR 1 h90 cm tower without roof made of 4 EN EV6060 anodized aluminium post with custom mold 9x9cm with rounded edges, minimum thickness 2,7mm. Central platform made of HDPE polyethylene with anti slip coating and painted and anodized steel brackets. All the fixing elements made of stainless steel



xQT4-9_ALU - NG Square tower h 90cm style Fantasy
NR 1 Composed by 4 posts having a 10 cm diameter by anodized steel, 1 square platform placed at a height of 90 cm. Coloured polyethylene gable roof



xS4-9_ALU - NG Steel ladder h90 cm
NR 1 rungs made of stainless steel. Complete with steel bar



**xSVPX-9_ALU - NG Straight slide h90
cm Fantasy**

NR 1 slide with lateral sides made of polyethylene and stainless steel slide certified according to the existing rules; starting platform height 90 cm; provided with a transversal bar.

METODO DI FISSAGGIO A TERRA DEI MONTANTI DEL GIOCO: Attrezzatura predisposta per fissaggio a terra mediante l'utilizzo di appositi telai metallici.

INFORMAZIONI RELATIVE ALL'ISPEZIONE: Ispezione visiva periodica - Controllo della pulizia dell'attrezzatura - Controllo degli interspazi tra terreno ed attrezzatura - Controllo della consistenza del terreno - Controllo delle fondamenta - Controllo degli spigoli - Controllo dell'eventuale mancanza di parti - Controllo dell'usura eccessiva delle parti mobili (snodi e boccole) - Controllo dell'integrità dell'intera attrezzatura. Per le aree gioco soggette ad uso intensivo o vandalismo può essere necessaria un'ispezione giornaliera. Ispezione annuale periodica: Potrebbe rendersi necessario lo smontaggio di alcune parti per la verifica