

+J01003
BUNNY RIDER

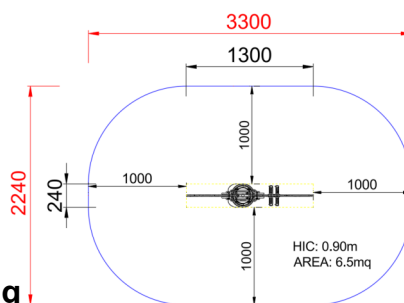


Dimensions	Safety area	Impact area	Falling height HIC	Physical footprint	Number of users
	3,3 x 2,3 m	0 mq	90 cm	1,3 x 0 x 0,8 m	1

Characteristics	stainless steel screws	use under surveillance
------------------------	------------------------	------------------------

Age range	Materials
From 3 to 12 years	Made of high density polyethylene. hdpe

Plan



Picture



Manufacturer
Pozza 1865 S.R.L.

Country of manufacturing



Area di sicurezza totale / Total safety area: 6.5mq
Altezza Max di Caduta / Max falling height: 0.90m