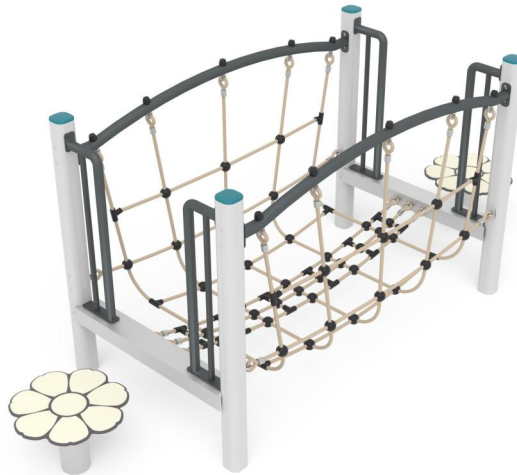


+U0100.PD-6_ALU
BRIDGE TIBETANO



Dimensions	Safety area	Impact area	Falling height HIC	Physical footprint	Number of users
6,2 x 4,1 m	0 mq	60 cm	3,2 x 1,1 x 1,3 m	5	

Characteristics



Age range

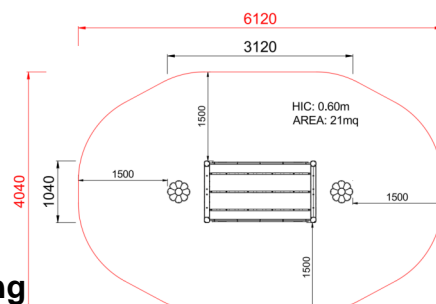
From 2 to 12 years

Materials



Made of EN EV6060 anodized aluminium 9x9cm custom mold with rounded edges, minimum thickness 2,7mm

Plan



Picture



Manufacturer

Pozza 1865 S.R.L.

Country of manufacturing



Area di sicurezza totale / Total safety area: 21mq
Altezza Max di Caduta / Max falling height: 0.60m