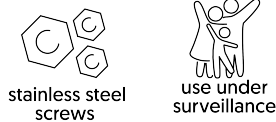


**+J02001.4**  
**BOB RIDER**



Dimensions	Safety area	Impact area	Falling height HIC	Physical footprint	Number of users
	3,1 x 2,5 m	0 mq	90 cm	1,1 x 0,5 x 0,8 m	1

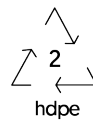
**Characteristics**



**Age range**

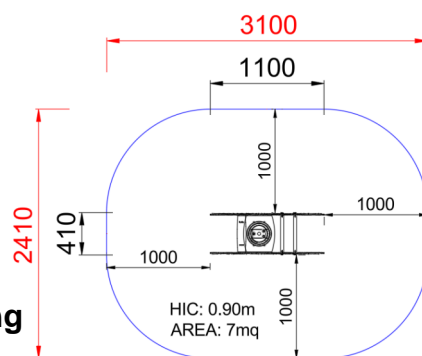
From 2 to 12 years

**Materials**



Made of high density polyethylene.

**Plan**



**Picture**



**Manufacturer**

Pozza 1865 S.R.L.

**Country of manufacturing**

ITALY



Area di sicurezza totale / Total safety area: 7mq  
Altezza Max di Caduta / Max falling height: 0.90m