

+AF102SSU.PS-14_L_ALU
ARIES BABY - LEAVES

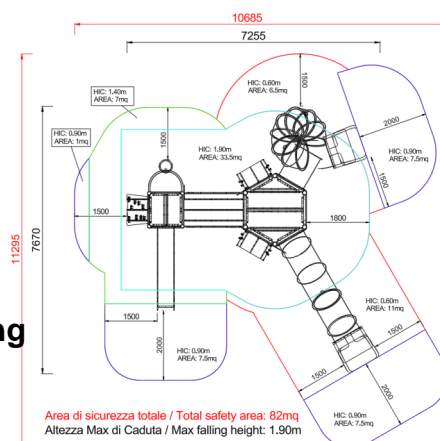


| Dimensions | Safety area | Impact area | Falling height HIC | Physical footprint | Number of users |
|---------------|-------------|-------------|--------------------|--------------------|-----------------|
| 10,8 x 11,5 m | 47 mq | 190 cm | 7,3 x 8 x 4,5 m | 30 | |

| Characteristics | hdpe | stainless steel screws | use under surveillance |
|-----------------|------|------------------------|------------------------|
| | | | |

| Age range | Materials | Made of EN EV6060 anodized aluminium 9x9cm custom mold with rounded edges, minimum thickness 2,7mm |
|----------------|------------------------|--|
| Da 3 a 12 anni | anodised aluminium | |

Plan



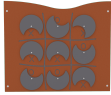
Picture



Manufacturer
Pozza 1865 S.R.L.

Country of manufacturing
ITALY

Components list



xABACOGT-01_L_ALU - NG Tic-Tac-Toe Panel Leaves

N. 1 Two colored polyethylene panel with serigraphy XOX symbols, 9 half-moon rolling panels, Inox steel bolts.



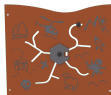
xABACOU0600-S_L_ALU - NG Mirror Panel Leaves

N. 1 .



xBV-3.1_L_ALU - NG Globe Panel Leaves

N. 1 .



xBV-4_L_ALU - NG Helicopter Activity Panel Leaves

N. 1 Made of colored polyethylene, sandwich type, with flow lanes, rotating disk and central knob



xC3_ALU - NG Esagonal platform

NR 1 Made of non-slip material



xLP-20_ALU - NG Large Leaf Accessory

N. 1 Leaves panel



xLP-5_ALU - NG Small Leaf Accessory

N. 3 Leaves panel



xP-7_L_ALU - NG Green Simple Panel

N. 1 Panel made of HDPE polyethylene, bi-color 86cm in width with drawing on the outer layer. all the fixing elements in Stainless steel



xPS-14_ALU - NG Spiral perch h 140 cm

NR 1 Composed by stainless steel tubular, support bracket and locking handles in painted steel



xQT4-14_L_ALU - NG Tower h140 with Roof Leaves

N. 1 Composed by 4 posts having a 9 x 9 cm section by aluminium, 1 square platform placed at a height of 140 cm. Coloured polyethylene gable roof.



xRH-1_ALU - NG Access ramp suitable for disabled people

NR 2 Made of impregnated lamellar wood.



xSCL1-14_ALU - NG Free-climbing inclined ramp h. 140

NR 1 H140 Climbing platform - Made of an HDPE panels with anti slip coating, resin climbing holds on top. Support structure made of painted and galvanized steel. All fixing elements made of stainless steel



xSVPX-14_E_ALU - NG Straight slide h140 cm Easy

NR 1 Easy slide with lateral sides made of polyethylene and stainless steel slide certified according to the existing rules; starting platform height 140 cm; provided with a transversal bar.