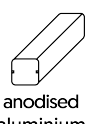


+AF102SSU.PS-14_ALU
ARIES BABY - FANTASY

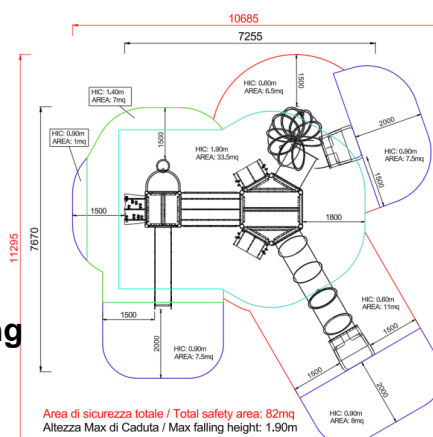


| Dimensions | Safety area | Impact area | Falling height HIC | Physical footprint | Number of users |
|---------------|-------------|-------------|--------------------|--------------------|-----------------|
| 10,7 x 11,3 m | 47 mq | 190 cm | 7,3 x 7,7 x 3,4 m | 28 | |

| Characteristics | hdpe | stainless steel screws | use under surveillance |
|-----------------|---|---|---|
| |  |  |  |

| Age range | Materials | Made of EN EV6060 anodized aluminium 9x9cm custom mold with rounded edges, minimum thickness 2,7mm |
|----------------|---|--|
| Da 3 a 12 anni |  anodised aluminium | |

Plan



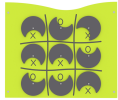
Picture



Manufacturer
Pozza 1865 S.R.L.

Country of manufacturing
ITALY 

Components list



xABACOGT-01_ALU - NG OXO Panel Fantasy

N. 1 Two colored polyethylene panel with serigraphy XOX symbols, 9 half-moon rolling panels, Inox steel bolts.



xABACOU0600-N_ALU - NG Panel with numbers-1

NR 1 Made of colored polyethylene, sandwich type, with central rotating disk.



xABACOU0600-S_ALU - NG Mirror MAGIC Panel

NR 1 Made of polyethylene, with mirror made polished stainless steel.



xBV-4_ALU - NG Activity panel

NR 1 Made of colored polyethylene, sandwich type, with flow lanes, rotating disk and central knob



xBV-6_ALU - NG Shop panels

NR 1 Vertical panel made of polyethylene and wood shelf.



xC3_ALU - NG Esagonal platform

NR 1 Made of non-slip material



xHT5-19_ALU - NG Esagonal tower h 190 cm with roof

NR 1 Composed of 6 posts having a 9 x 9 cm section by lamellar wood, 1 esagonal platform placed at a height of 190 cm. Coloured gable roof



xP-2.1 _ALU - NG Porthole Themed Panel

NR 1 .



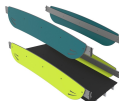
xP-2_ALU - NG Protection lateral panels with polycarbonate portholes

NR 1 Made of polyethylene, with polycarbonate portholes, provided with stainless steel brackets for fixing them to the tower.



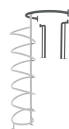
xP-7_ALU - NG Simple Lime Panel

NR 1 Panel made of HDPE polyethylene, bi-color 86cm in width with drawing on the outer layer. all the fixing elements in Stainless steel



xPI-10_ALU - NG Fixed inclined bridge Fantasy

NR 1 Walkway made of impregnated wood, with polyethylene parapets



xPS-14_ALU - NG Spiral perch h 140 cm

NR 1 Composed by stainless steel tubular, support bracket and locking handles in painted steel



xQT4-14_ALU - NG Square tower h140 cm Fantasy

N. 1 Composed of 4 posts having a 9 x 9 mm section by aluminium, 1 square platform placed at a height of 140 cm. Coloured polyethylene gable roof



xRH-1_ALU - NG Access ramp suitable for disabled people

NR 2 Made of impregnated lamellar wood.



**xSCL2-14_ALU - NG Climbing
Platform h140 cm**

NR 1 Consisting of non-slip multi-layer panel on which are fixed the resin supports, free-climbing type.



**xSVPX-14_ALU - NG Straight slide
h140 cm Fantasy**

NR 1 slide with lateral sides made of polyethylene and stainless steel slide certified according to the existing rules; starting platform height 140 cm; provided with a transversal bar.



**xSW-19_ALU - NG Tube-shaped slide
h 190 cm diameter 80 cm**

NR 1 Polyethylene slide certified according to the existing rules; starting platform height 190 cm



**xSW-E-19_ALU - NG Tube Slide h190
(spiral)**

NR 1 .