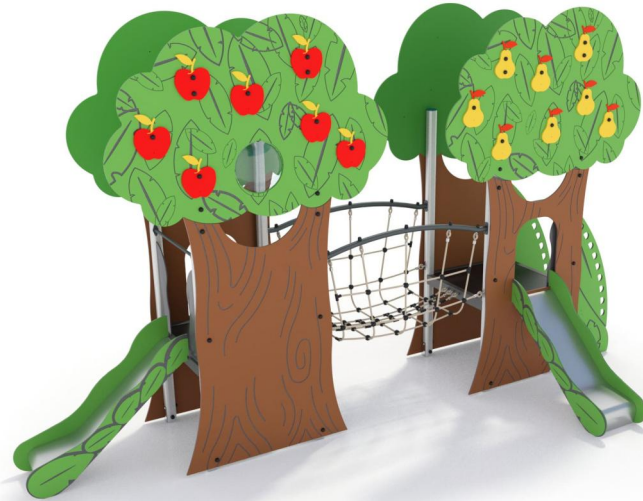


+AS100BGS.S-9_ALU APRICOT 2 TOWERS WITH LADDER

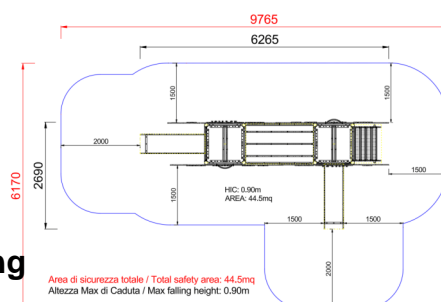


Dimensions	Safety area	Impact area	Falling height HIC	Physical footprint	Number of users
9,9 x 6,5 m	0 mq	90 cm	6,4 x 3,2 x 0 m	8	

Characteristics	stainless steel screws	use under surveillance
		

Age range	Materials	Made of EN EV6060 anodized aluminium 9x9cm custom mold with rounded edges, minimum thickness 2,7mm
From 3 to 12 years	 anodised aluminium	

Plan



Picture



Manufacturer
Pozza 1865 S.R.L.

Country of manufacturing
ITALY 