

+AF702FRE19.STI-9_L_ALU

ANDROMEDA WITH TUBE SLIDE - LEAVES



Dimensions	Safety area	Impact area	Falling height HIC	Physical footprint	Number of users
13,3 x 13,5 cm	0 mq	190 cm	9,8 x 10 x 4,1 cm	40	

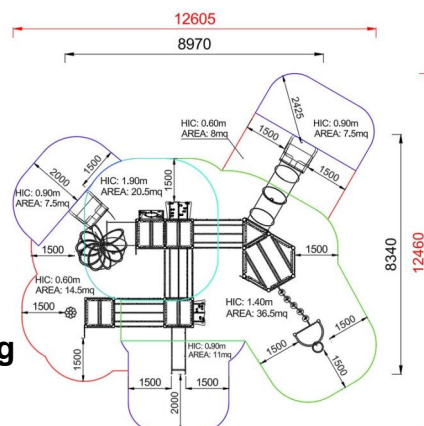
Characteristics

Age range

3-12

Materials

Plan



Picture



Manufacturer

Pozza 1865 S.R.L.

Country of manufacturing

ITALY



Area di sicurezza totale / Total safety area: 105mq
Altezza Max di Caduta / Max falling height: 1.90m